

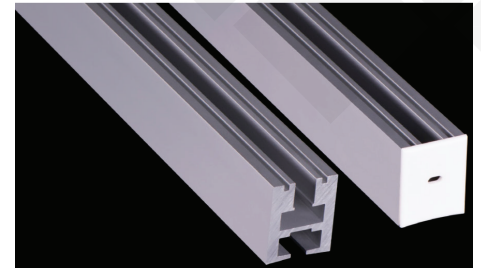
# Brio Series

## LED ALUMINUM PROFILE

Model No. BR-GP-ALP055X

- Creates a homogenous light with uniform intensity
- The extrusion made from high quality aluminum
- Suitable for strips width upto 15mm wide
- The extrusion can be glass mounting type
- Customized length upto 4 meters
- Anodized / Powder coated
- Excellent heat sink

Applications- Decorative glasses.



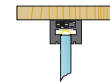
Beam angle: 20°



Weight:<1.10kg/m

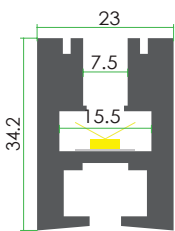


Max power:<20w/m



Mounting: Glass

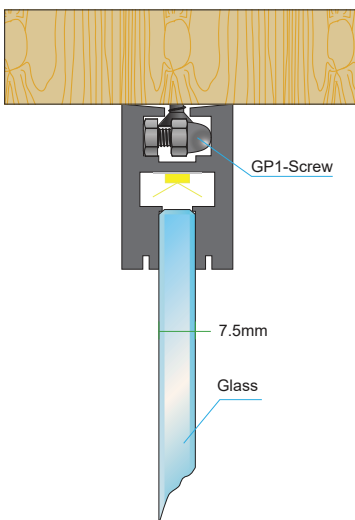
## DIMENSIONS



## ACCESSORIES



## INSTALLATION



## APPLICATION

