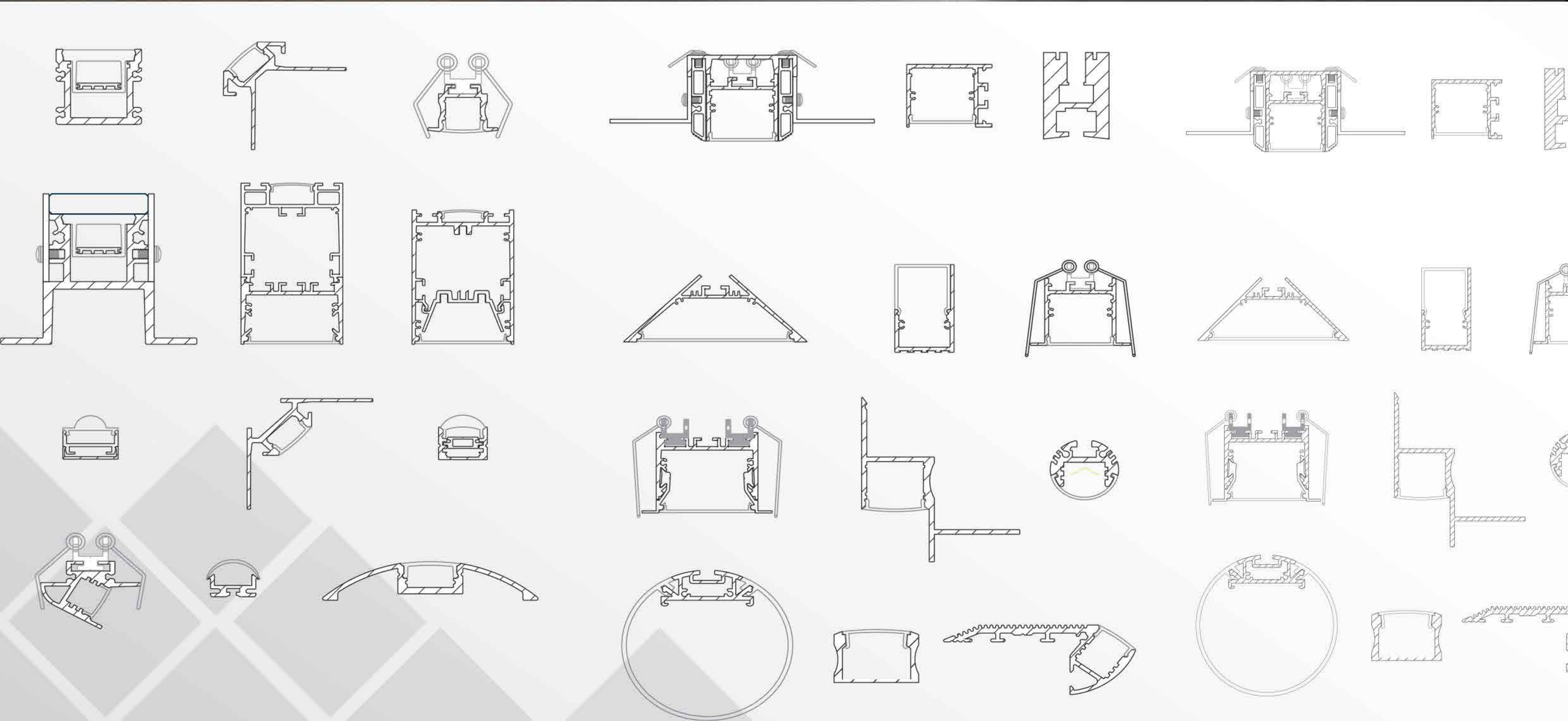
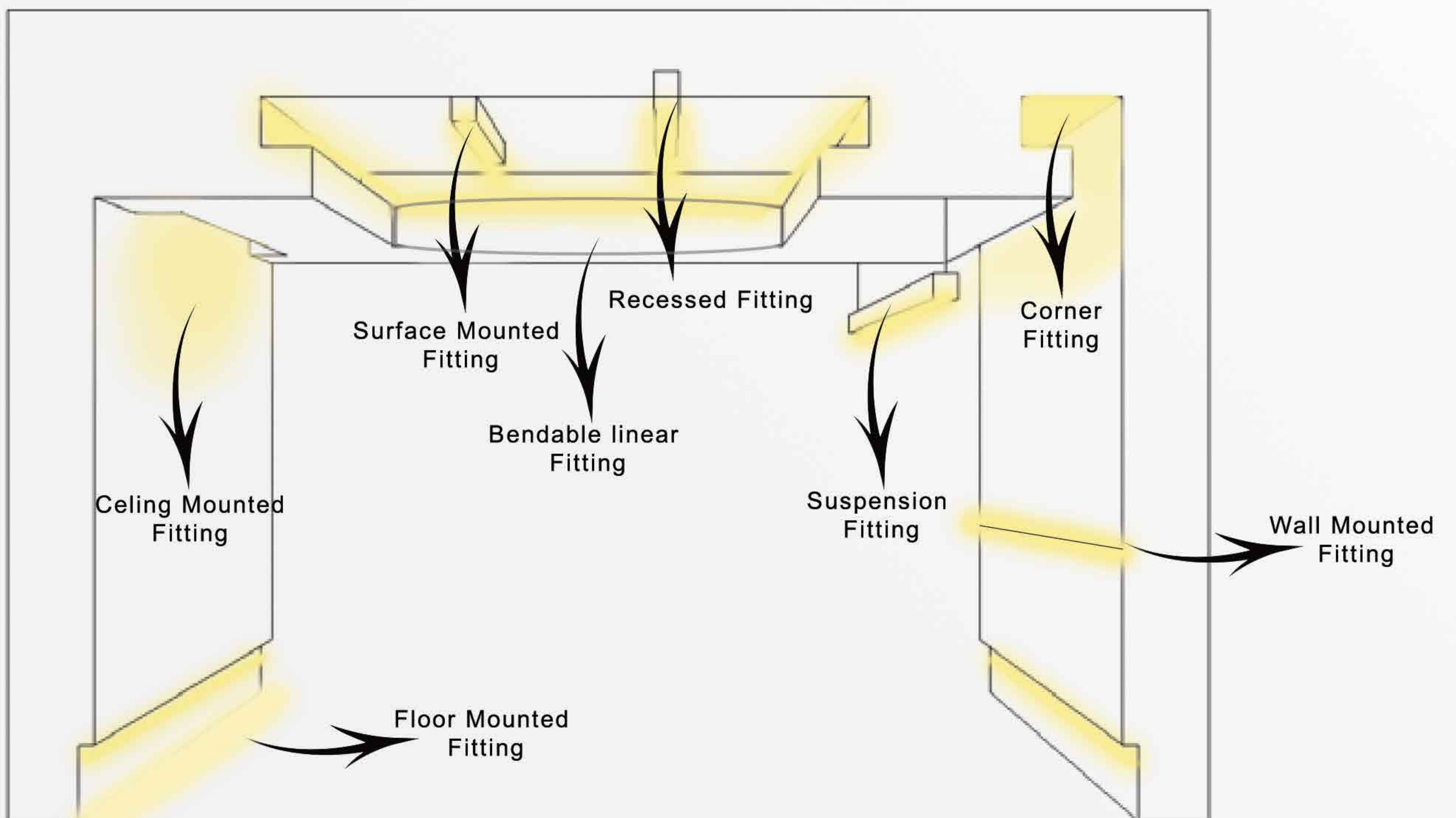




LED ALUMINUM PROFILES & LINEAR LED LUMINAIRES



- 1 Extrusion - The basic element of each LED fixture and constituting its "body". Our offer includes extrusions in various shapes, sizes, and lengths. Selecting a specific extrusion determines how the entire lamp is mounted and used. They are made of high quality aluminum, anodized, raw, or, if requested by our customer, painted in RAL colors.
- 2 LEDs - energy efficient and modern light sources. LEDRAY offer includes high quality LEDs laid on flexible or rigid strips. in different shades of white, such as cold white, neutral, warm, and RGB. In addition, we offer sealed LED tapes for protection against water contact which meet the IP67 waterproof rating. We are extending our range of LED strips with quality that allows for extended warranty periods.
- 3 Cover - acts as a "diffuser", protecting the delicate LED strip from damage and contamination. In our offer there are many types of covers with different features. Transparent, frosted, and opal eliminating the glitter effect, helping to achieve a line of light, focusing the angle of light, flat, convex, or with a structure.
- 4 End caps - closing elements on both ends of the cover. The basic function of the end cap is to finish the ends of the linear fixture in terms of construction and aesthetics. We offer different types of end caps: standard, with hole to facilitate the power cable, conductive that allow to electrify the LED strip installed inside the profile and standard finishes like white, gray, metalized and on request to be painted in the RAL colors.
- 5 Mounting accessories - a group of components used to fasten fixtures to different types of surfaces, suspend them, connect them in a chain, etc. More accessories and detailed information can be found in the Accessories section of the catalog



BR-S-ALP001X
Surface Profile

Weight: 0.14
Wattage: <15

BR-S-ALP002X
Surface Profile

Weight: 0.21
Wattage: <20

BR-S-ALP003X
Surface Profile

Weight: 0.20
Wattage: <20

BR-S-ALP004X
Surface Profile

Weight: 0.17
Wattage: <15

BR-S-ALP005X
Surface Profile

Weight: 0.10
Wattage: <15

BR-S-ALP006X
Surface Profile

Weight: 0.26
Wattage: <20

BR-S-ALP007x
Surface Profile

Weight: 0.15
Wattage: <20

BR-S-ALP008X
Surface Profile

Weight: 0.15
Wattage: <15

BR-S-ALP009X
Surface Lens Profile

Weight: 0.23
Wattage: <15

📏 : Approx weight per meter, with +/- 10% tolerance

⚡ : Maximum recommended LED wattage per meter

BR-S-ALP010X
Lens Profile

Weight: 0.39
Wattage: <20

BR-S-ALP011X
Surface Profile

Weight: 0.32
Wattage: <20

BR-S-ALP012X
Slim Pendant Profile

Weight: 0.32
Wattage: <20

BR-S-ALP013X
Slim Pendant Profile

Weight: 0.23
Wattage: <20

BR-S-ALP-014x
Surface Profile

Weight: 0.10
Wattage: <15

BR-S-ALP015X
Surface Profile

Weight: 0.9
Wattage: <30

BR-S-ALP016x
Surface Profile

Weight: 0.15
Wattage: <15

BR-R-ALP020X
Recessed Profile

Weight: 0.16
Wattage: <15

BR-R-ALP021X
Recessed Profile

Weight: 0.22
Wattage: <20

📏 : Approx weight per meter, with +/- 10% tolerance

⚡ : Maximum recommended LED wattage per meter

Brio Series

LED PROFILES

BR-R-ALP-022x
Recessed Profile

Weight: 0.22
Wattage: <20

BR-R-ALP-023x
Recessed Profile

Weight: 0.14
Wattage: <15

BR-R-ALP-024x
Recessed Profile

Weight: 0.10
Wattage: <15

BR-R-ALP025X
Recessed Profile

Weight: 0.36
Wattage: <20

BR-R-ALP026X
Recessed Profile

Weight: 0.28
Wattage: <20

BR-R-ALP027X
Recessed Profile

Weight: 1.20
Wattage: <30

BR-C-ALP030X
Corner Profile

Weight: 0.17
Wattage: <30

BR-C-ALP031X
Corner Profile

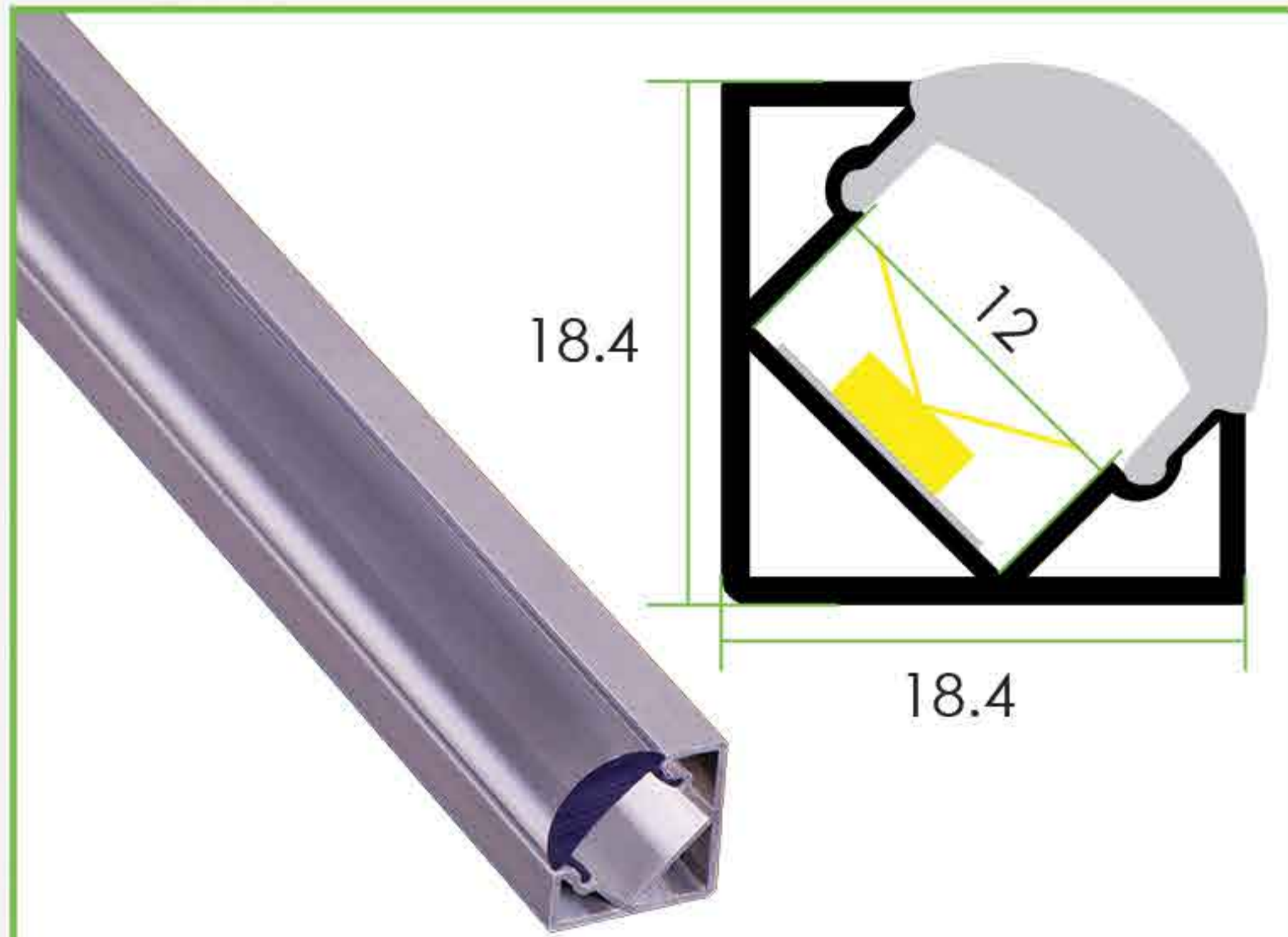
Weight: 0.16
Wattage: <15

BR-C-ALP032X
Corner Profile

Weight: 0.23
Wattage: <15

Weight icon: Approx weight per meter, with +/- 10% tolerance

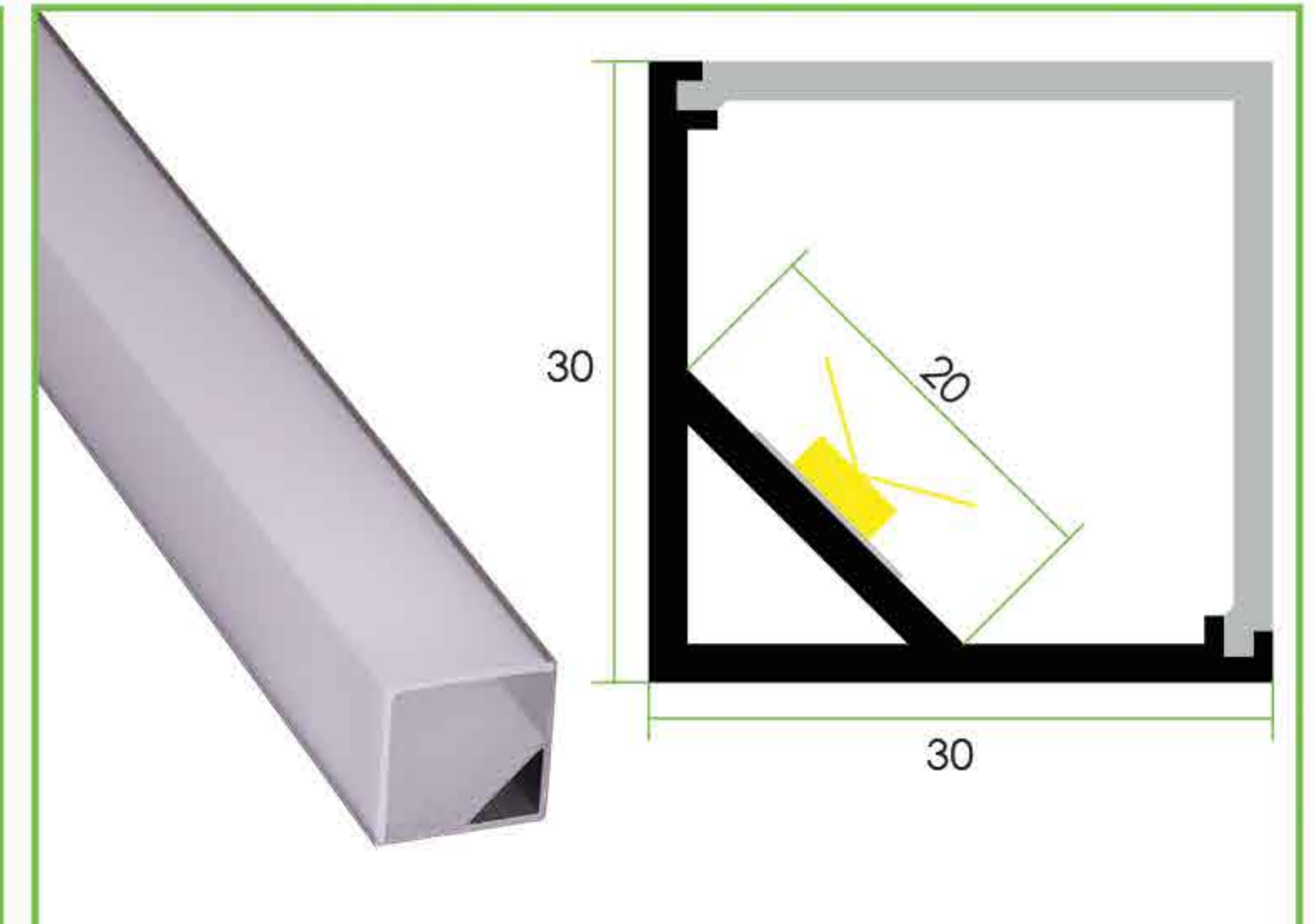
Wattage icon: Maximum recommended LED wattage per meter



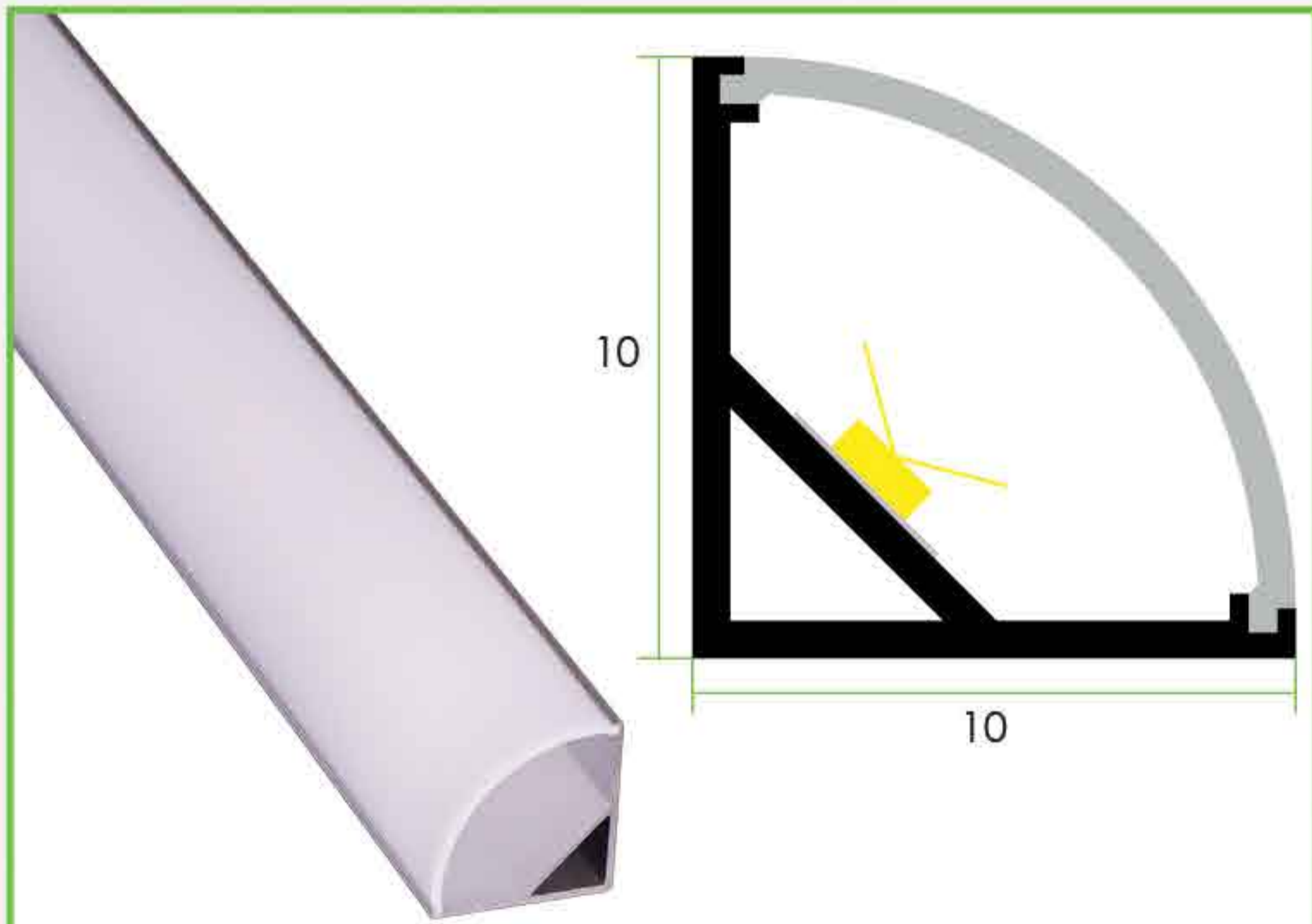
BR-C-ALP033X  **0.25**
Corner Lens Profile  **<15**



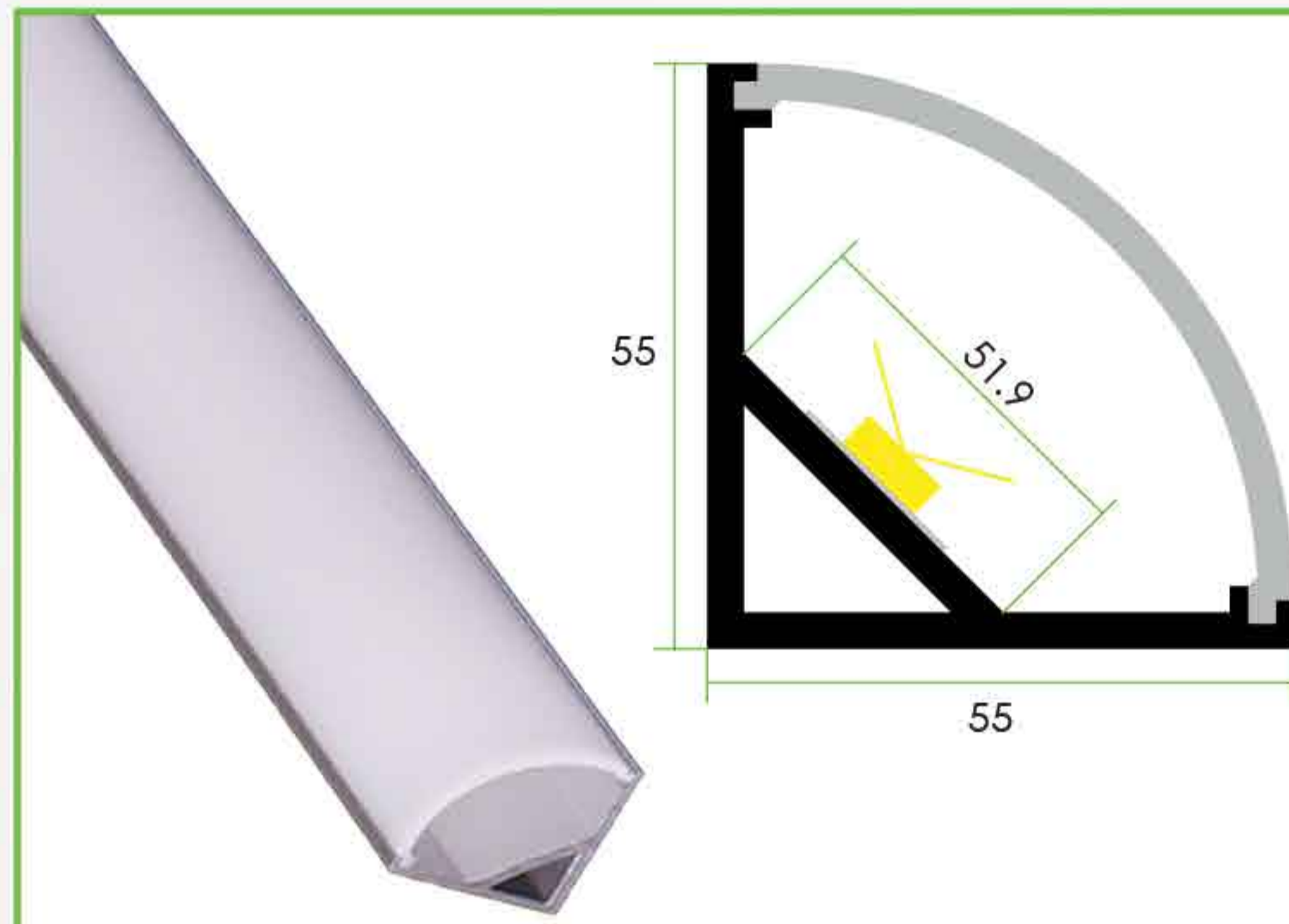
BR-C-ALP034X  **0.34**
Corner Profile  **<25**



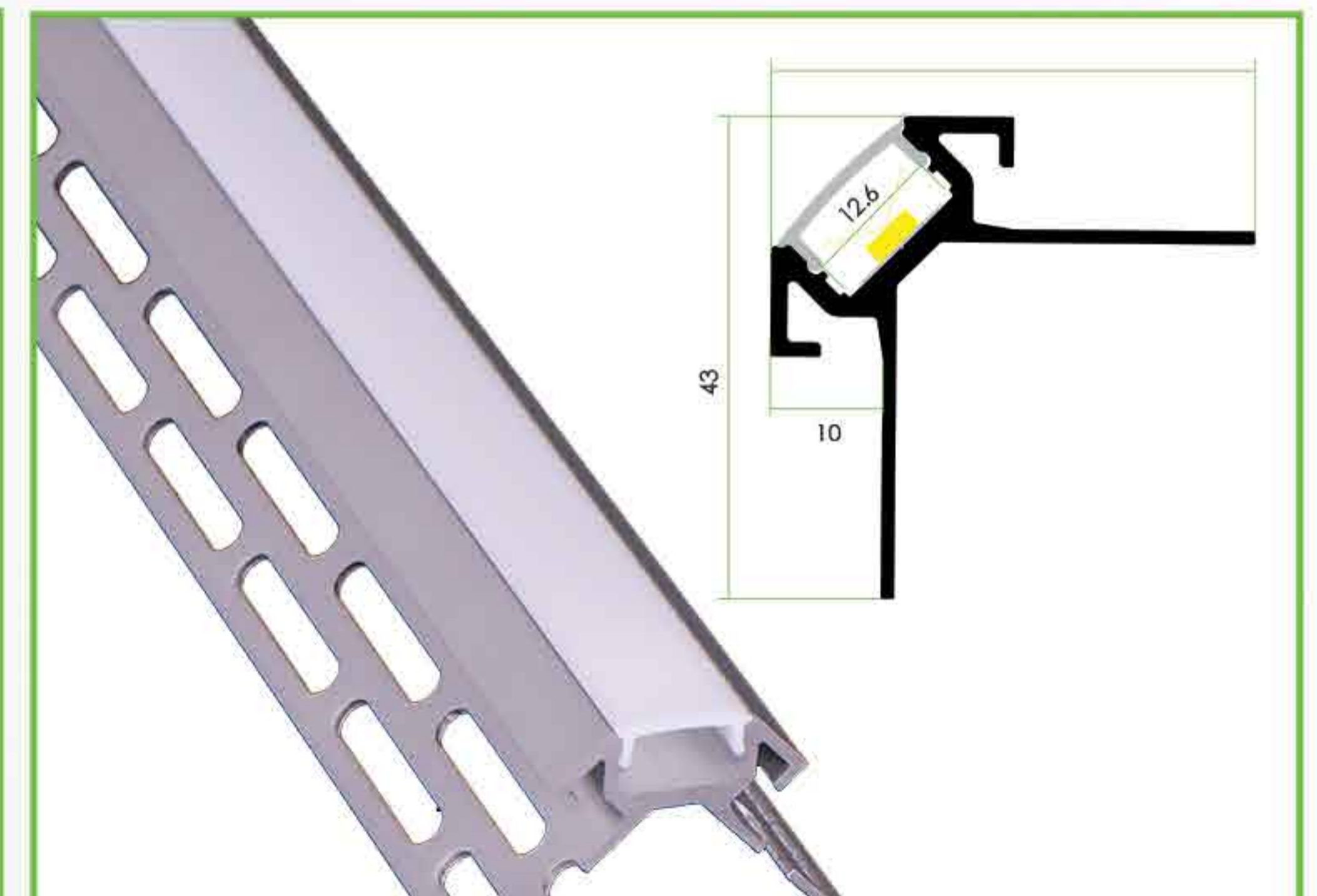
BR-C-ALP035X  **0.34**
Corner Profile  **<30**



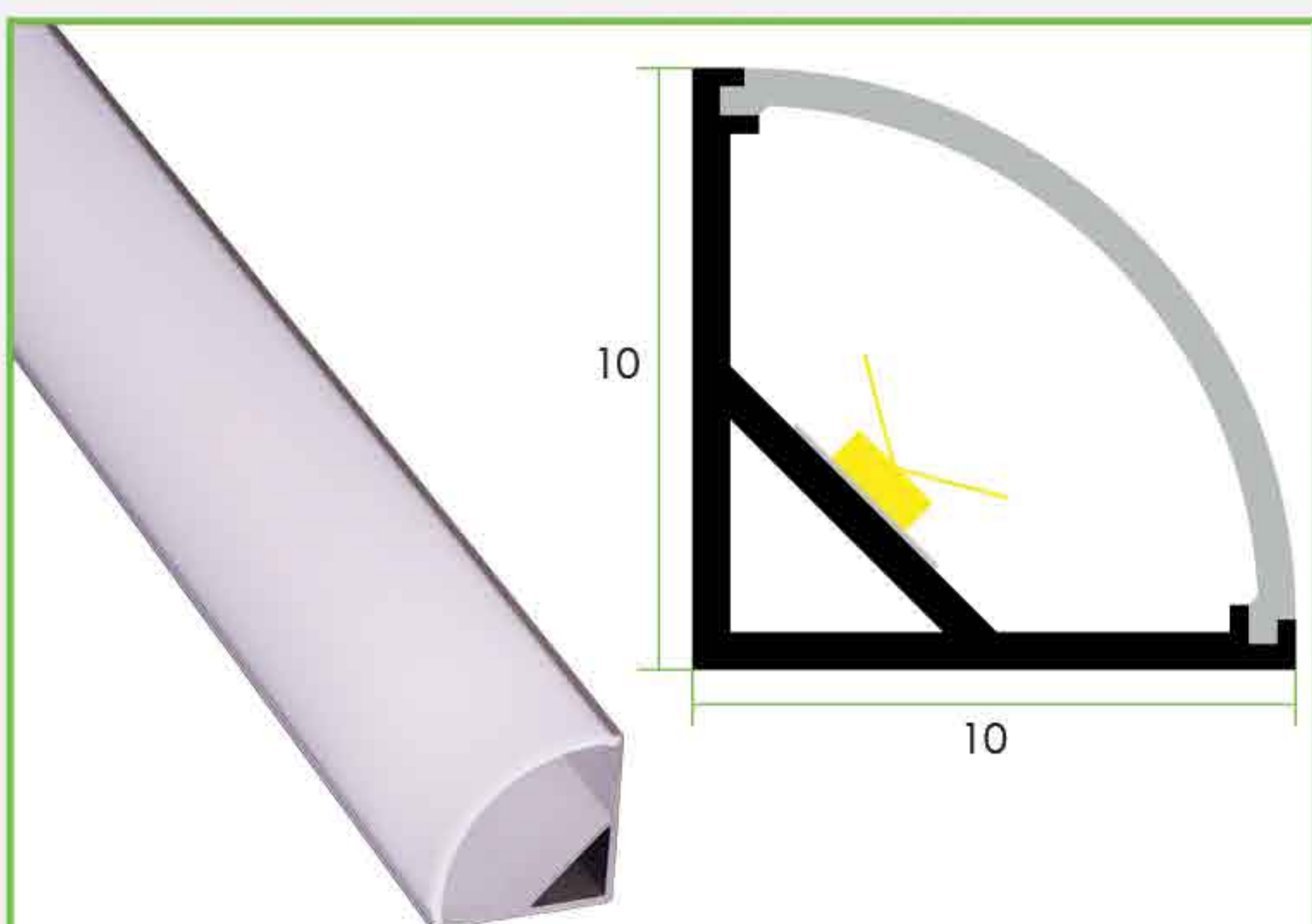
BR-C-ALP036X  **0.34**
Corner Profile  **<30**



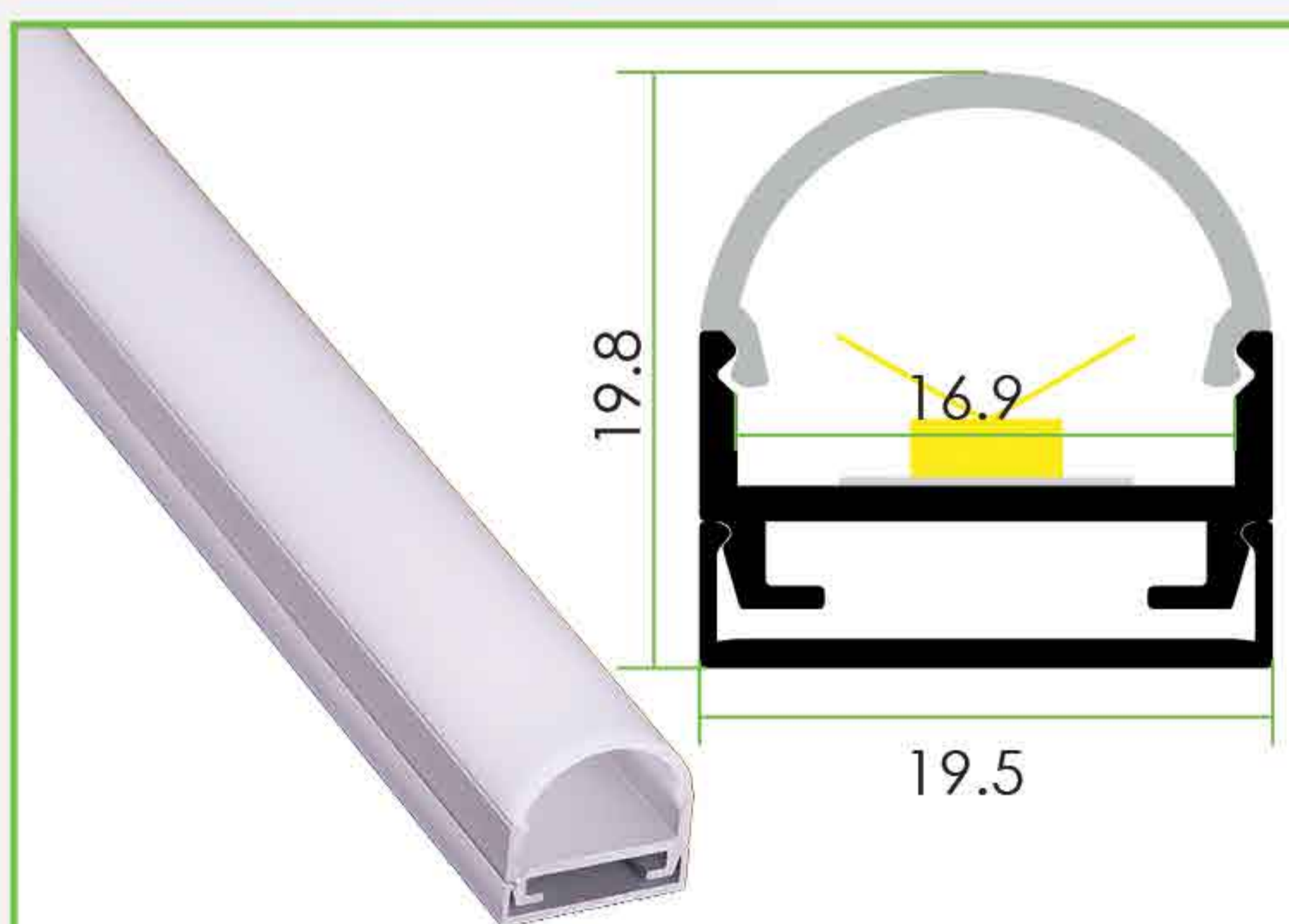
BR-C-ALP037X  **0.44**
Corner Profile  **<40**



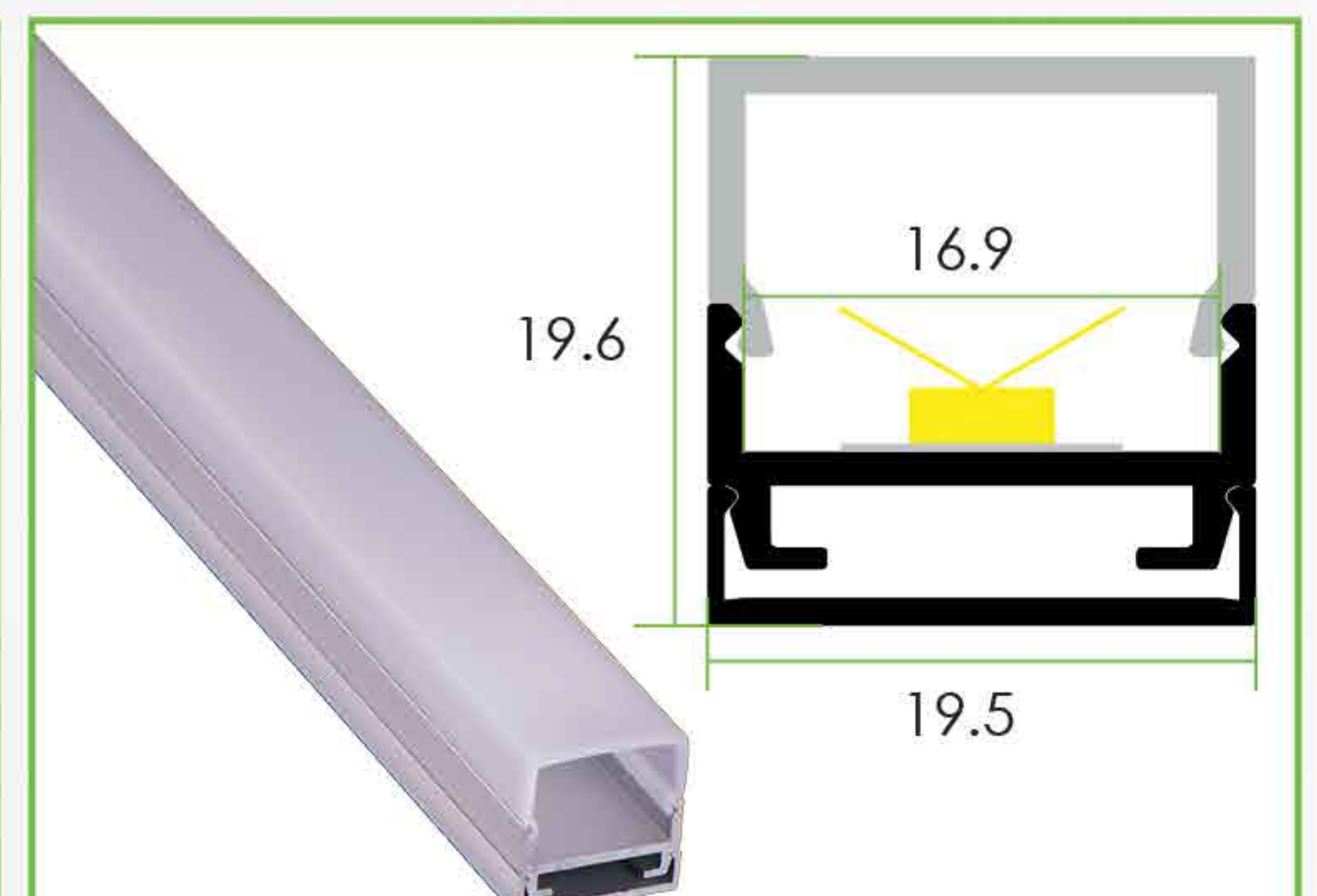
BR-C-ALP038X  **0.49**
Corner Profile  **<15**



BR-C-ALP039X  **0.15**
Corner Profile  **<15**




BR-CM-ALP040X  **0.23**
Ceiling Mounted  **<20**



BR-CM-ALP042X  **0.25**
Ceiling Mounted  **<20**

 : Approx weight per meter, with +/- 10% tolerance

 : Maximum recommended LED wattage per meter

BR-CM-ALP043X
Ceiling Mounted

Weight: 0.25
Wattage: <20

BR-CM-ALP044X
Ceiling Mounted

Weight: 0.22
Wattage: <20

BR-CM-ALP045X
Ceiling Mounted

Weight: 0.24
Wattage: <20

BR-CM-ALP046X
Ceiling Mounted

Weight: 0.24
Wattage: <20

BR-CM-ALP047X
Ceiling Mounted

Weight: 0.46
Wattage: <20

BR-CM-ALP048X
Ceiling Mounted

Weight: 0.23
Wattage: <20

BR-CM-ALP049X
Ceiling Mounted

Weight: 0.22
Wattage: <20

BR-CM-ALP050X
Ceiling Mounted

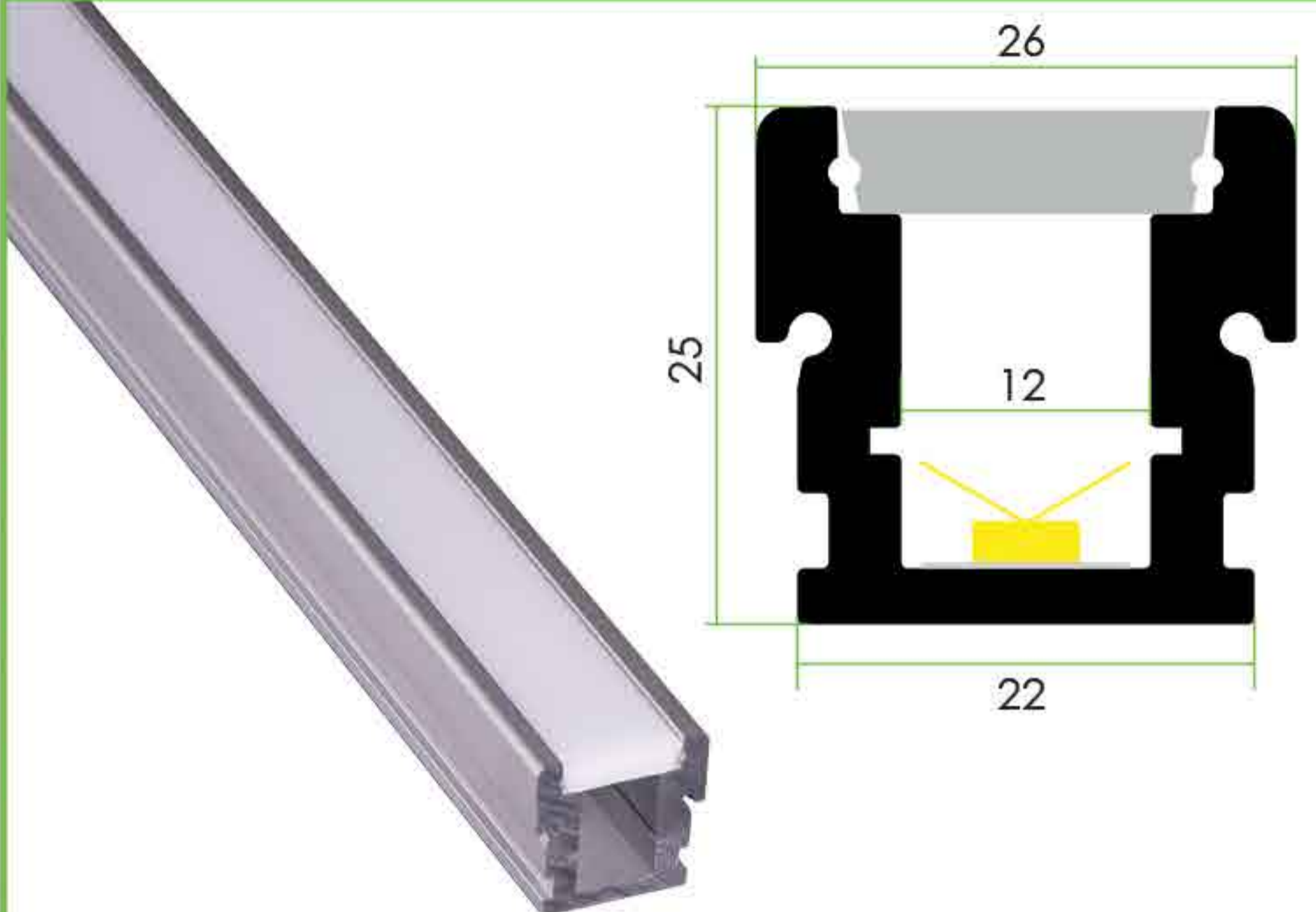
Weight: 0.46
Wattage: <20

BR-F-ALP051X
Floor Profile

Weight: 0.15
Wattage: <15

📏 : Approx weight per meter, with +/- 10% tolerance

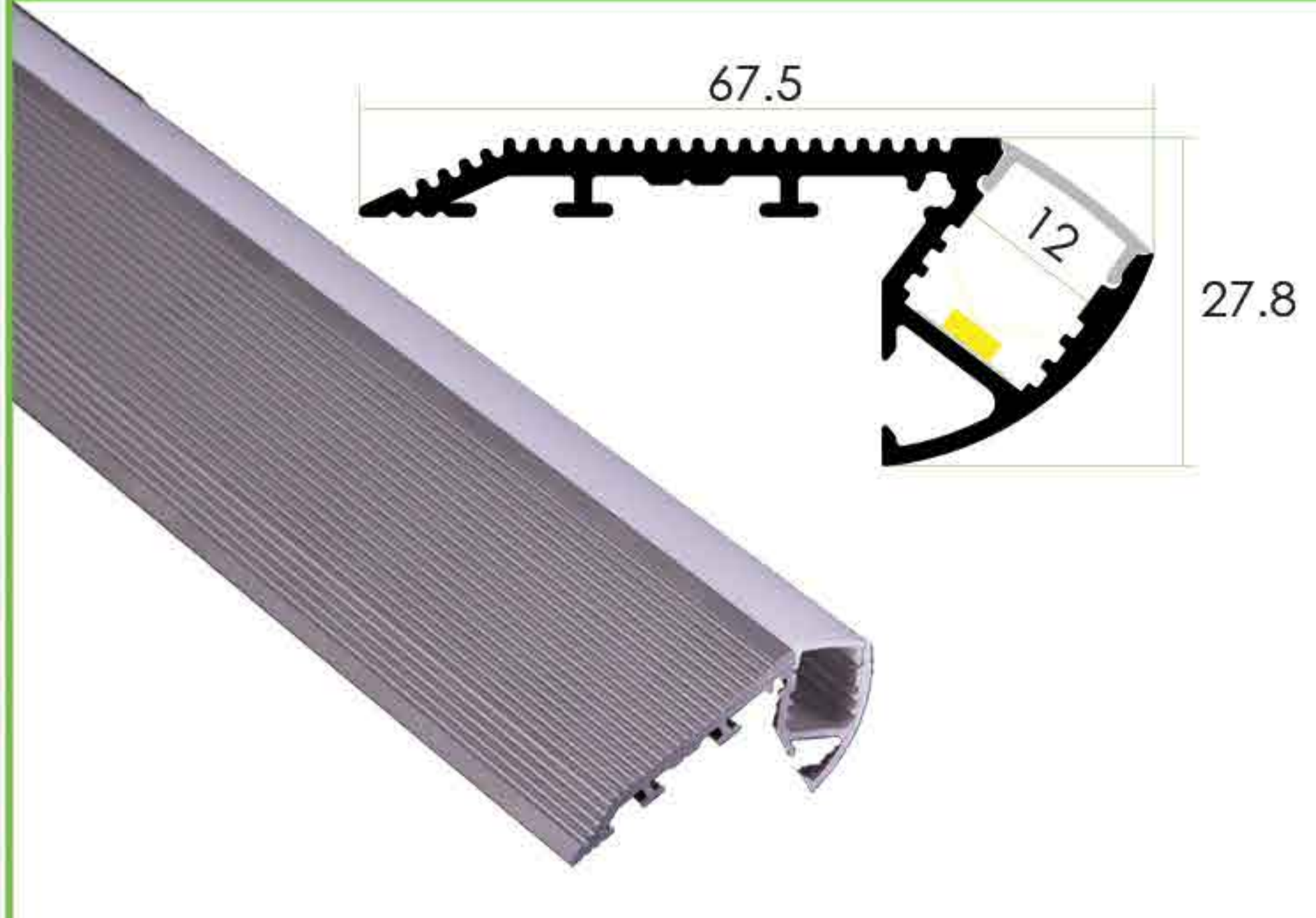
⚡ : Maximum recommended LED wattage per meter



BR-F-ALP052X
Floor Profile

Weight: 0.87
LED Wattage: <20


Dimensions: 26 (width), 25 (height), 12 (LED channel width), 22 (base width)



BR-ST-ALP053X
Stair Profile

Weight: 0.83
LED Wattage: <20

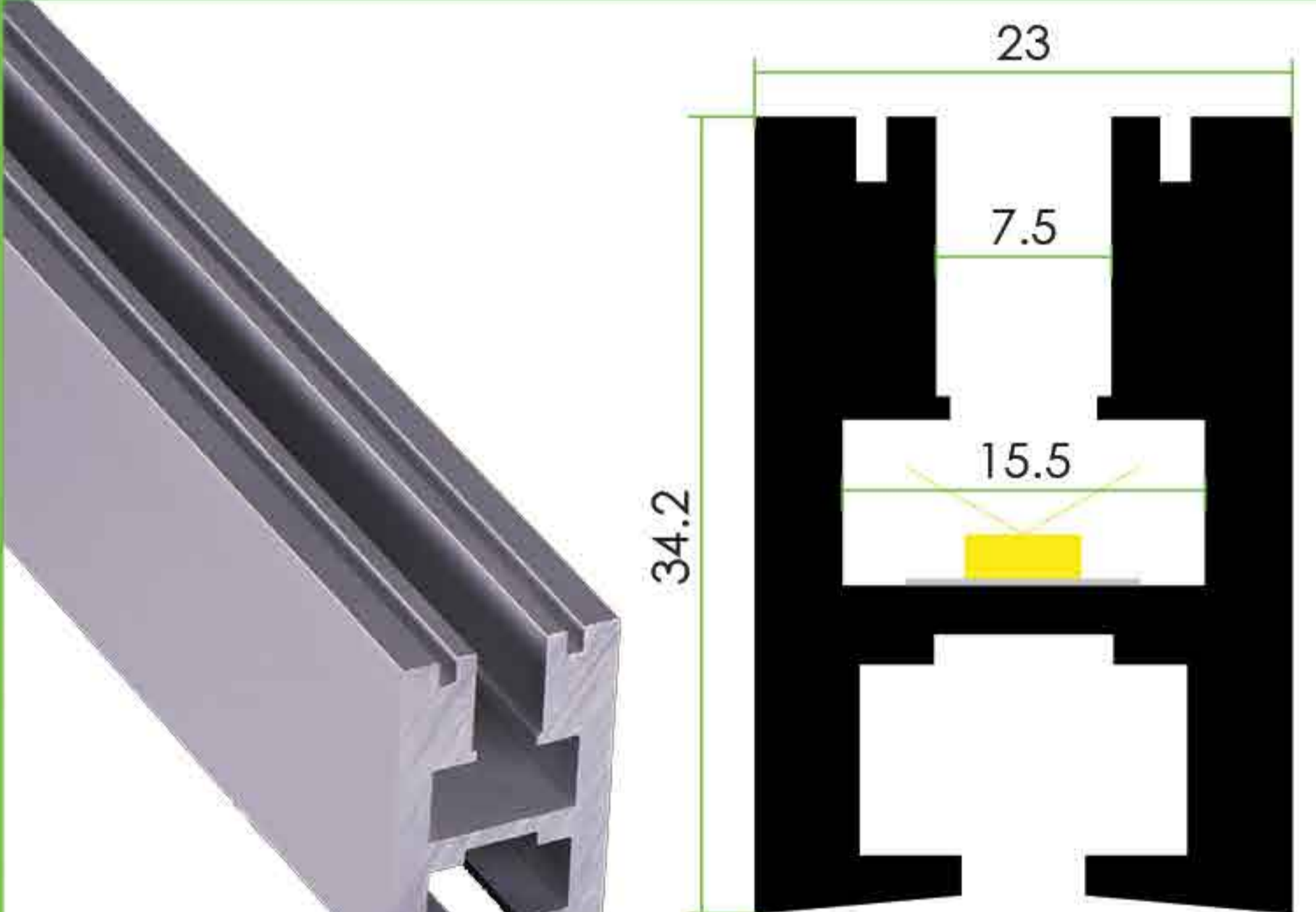
Dimensions: 67.5 (width), 12 (LED channel width), 27.8 (height)



BR-ST-ALP054X
Stair Profile

Weight: 1.15
LED Wattage: <20

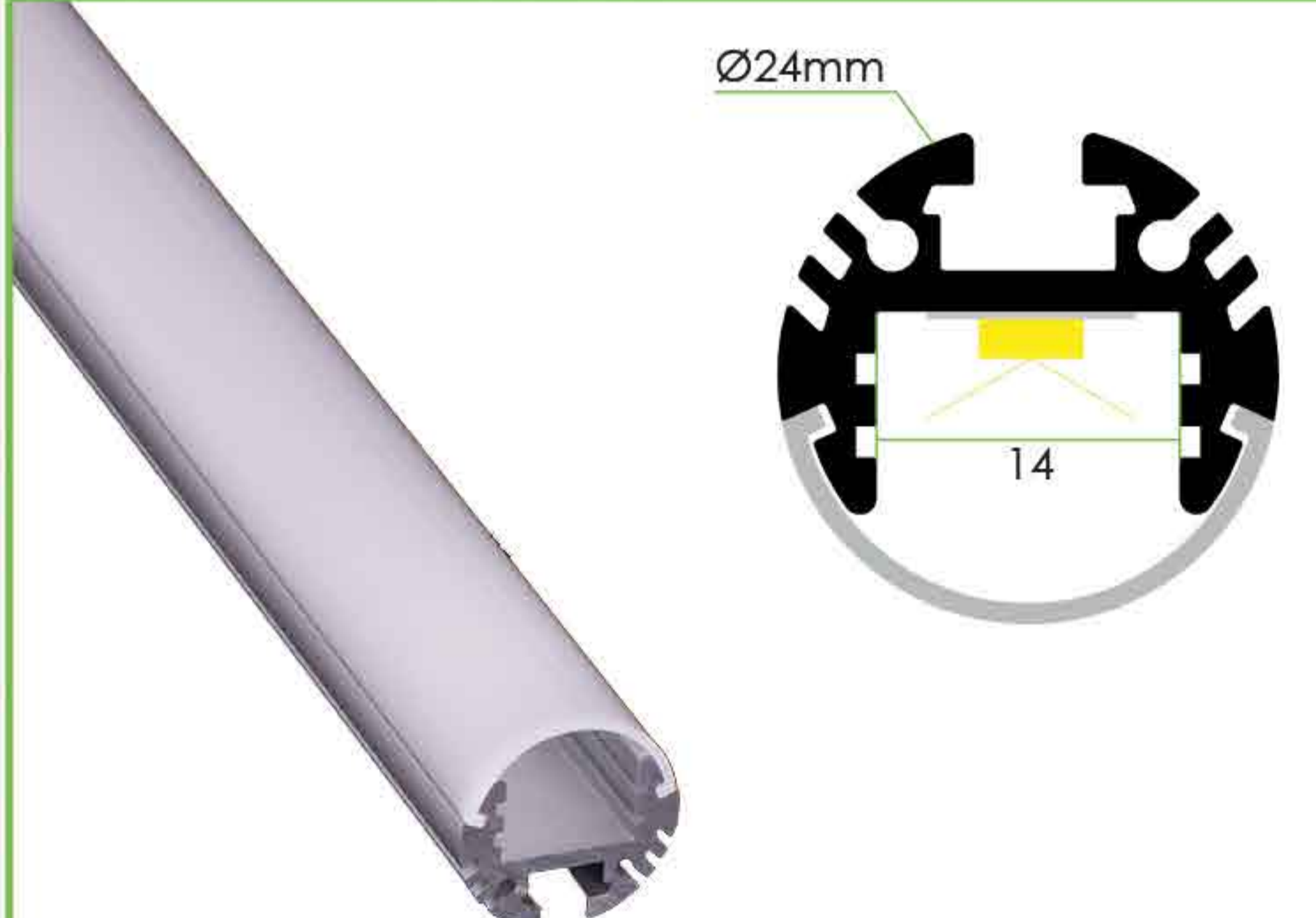
Dimensions: 82.5 (width), 15 (LED channel width), 38 (height)



BR-GP-ALP055X
Glass Profile

Weight: 1.10
LED Wattage: <20


Dimensions: 23 (width), 7.5 (LED channel width), 15.5 (LED channel depth), 34.2 (height)



BR-RP-ALP056X
Round Profile

Weight: 0.43
LED Wattage: <20

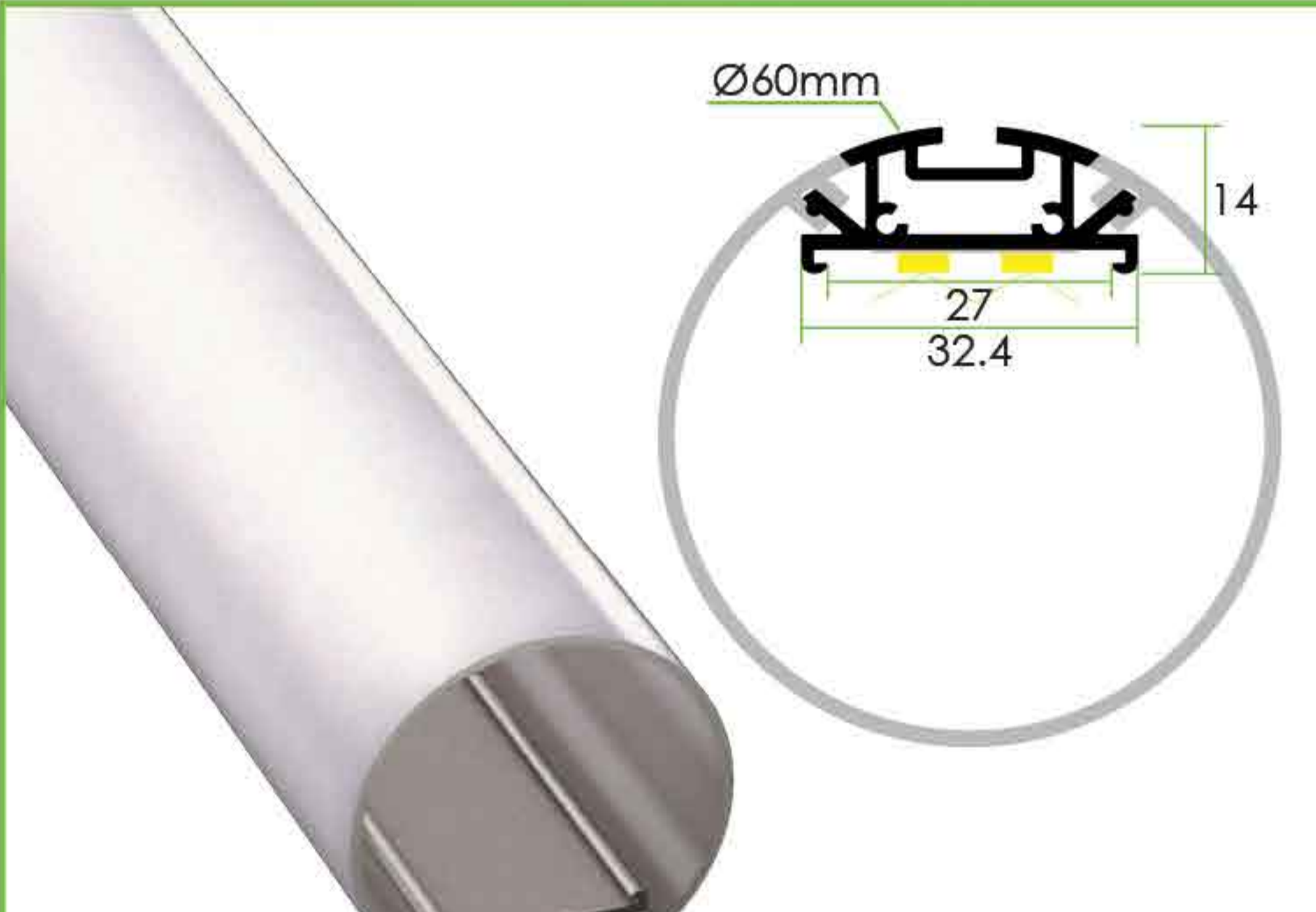
Dimensions: Ø24mm (outer diameter), 14 (inner diameter)



BR-RP-ALP057X
Round Profile

Weight: 0.44
LED Wattage: <30

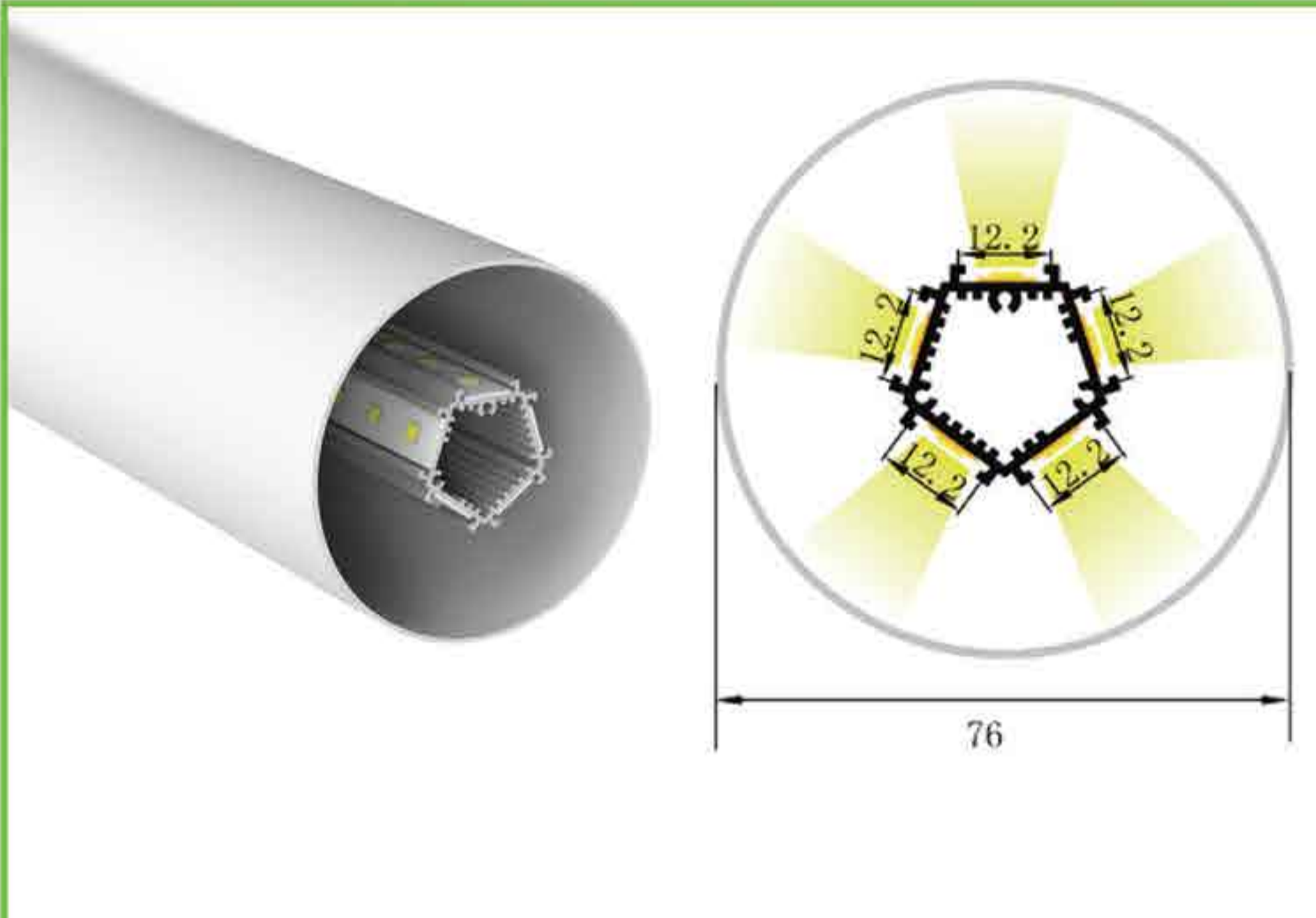
Dimensions: Ø34mm (outer diameter), 24 (inner diameter)



BR-RP-ALP058X
Round Profile

Weight: 0.60
LED Wattage: <30

Dimensions: Ø60mm (outer diameter), 14 (height), 27 (width), 32.4 (width)



BR-RP-ALP059X
Round Profile

Weight: 1.20
LED Wattage: <50

Dimensions: 76 (width)



BR-W-ALP060X
Wall Profile

Weight: 0.91
LED Wattage: <20

Dimensions: 25.4 (width), 12 (LED channel width), 60 (height), 70 (height)

📏 : Approx weight per meter, with +/- 10% tolerance

⚡ : Maximum recommended LED wattage per meter

Brio Series

LED PROFILES

BR-W-ALP061X
Wall Profile

0.76
<20

BR-W-ALP062X
Wall Profile

1.40
<30

BR-W-ALP063X
Wall Profile

0.76
<20

BR-W-ALP064X
Wall Profile

0.70
<20

BR-B-ALP065X
Bendable Profile

0.10
<15

BR-B-ALP066X
Bendable Profile

0.10
<15

BR-B-ALP067X
Bendable Profile

0.15
<15

BR-WP-ALP068X
Water Proof Profile

0.91
<20

BR-PS-ALP070X
Powerline Profile

0.65
<40

📏 : Approx weight per meter, with +/- 10% tolerance

⚡ : Maximum recommended LED wattage per meter

Brio Series

LED PROFILES

BR-PS-ALP071X
Powerline Profile

Weight: 0.69 kg/m
LED Wattage: <40 W/m

BR-PS-ALP072X
Powerline Profile

Weight: 1.02 kg/m
LED Wattage: <60 W/m

BR-PS-ALP073X
Powerline Profile

Weight: 1.09 kg/m
LED Wattage: <60 W/m

BR-PS-ALP074X
Powerline Profile

Weight: 1.26 kg/m
LED Wattage: <60 W/m

BR-PS-ALP075X
Powerline Profile

Weight: 1.15 kg/m
LED Wattage: <60 W/m

BR-PS-ALP076x
Suspension Profile

Weight: 0.92 kg/m
LED Wattage: <60 W/m

BR-PR-ALP080X
Powerline Profile

Weight: 0.73 kg/m
LED Wattage: <40 W/m

BR-PR-ALP081X
Powerline Profile

Weight: 1.43 kg/m
LED Wattage: <60 W/m

BR-PR-ALP082X
Powerline Profile

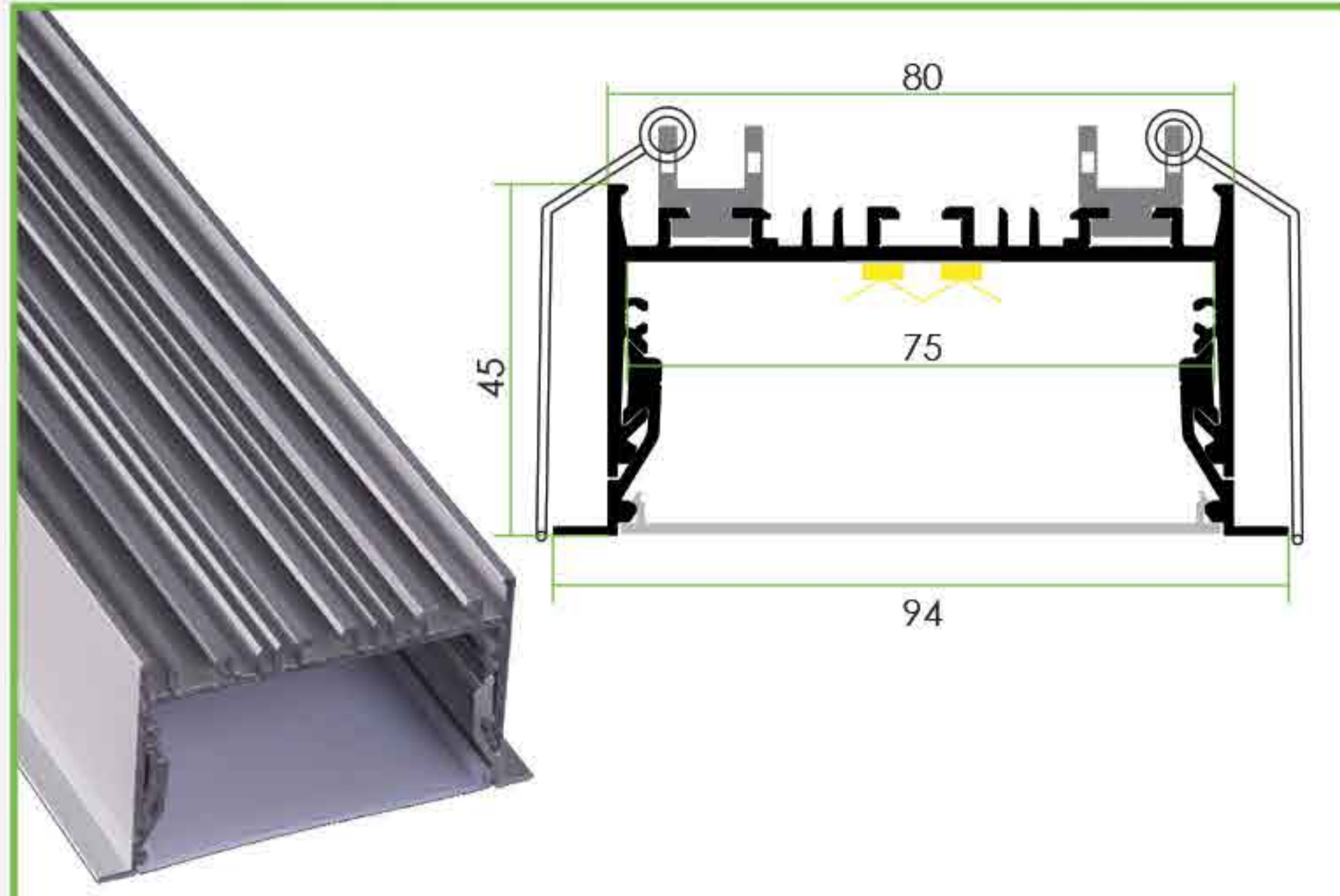
Weight: 1.47 kg/m
LED Wattage: <60 W/m

📏 : Approx weight per meter, with +/- 10% tolerance

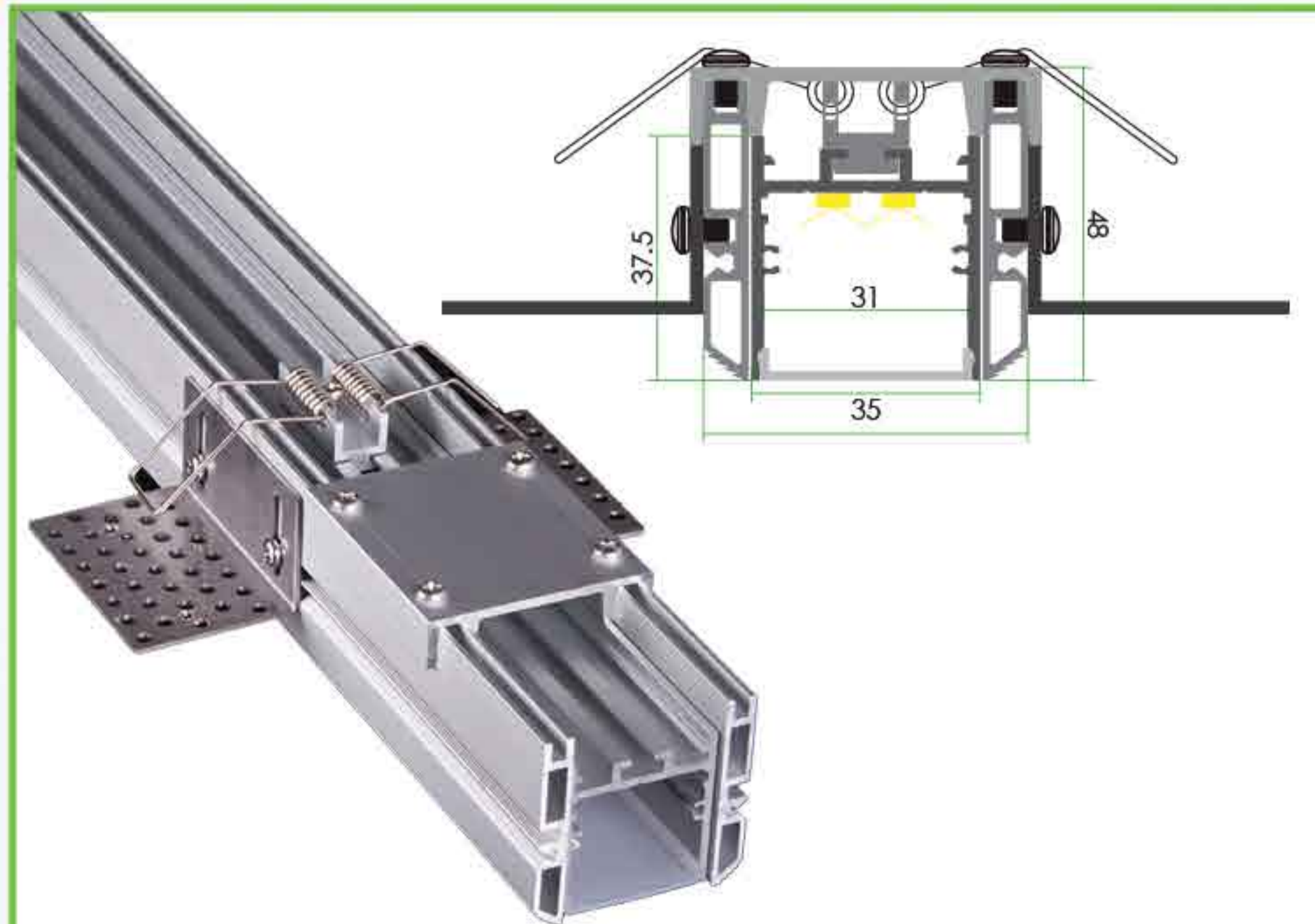
⚡ : Maximum recommended LED wattage per meter

Brio Series

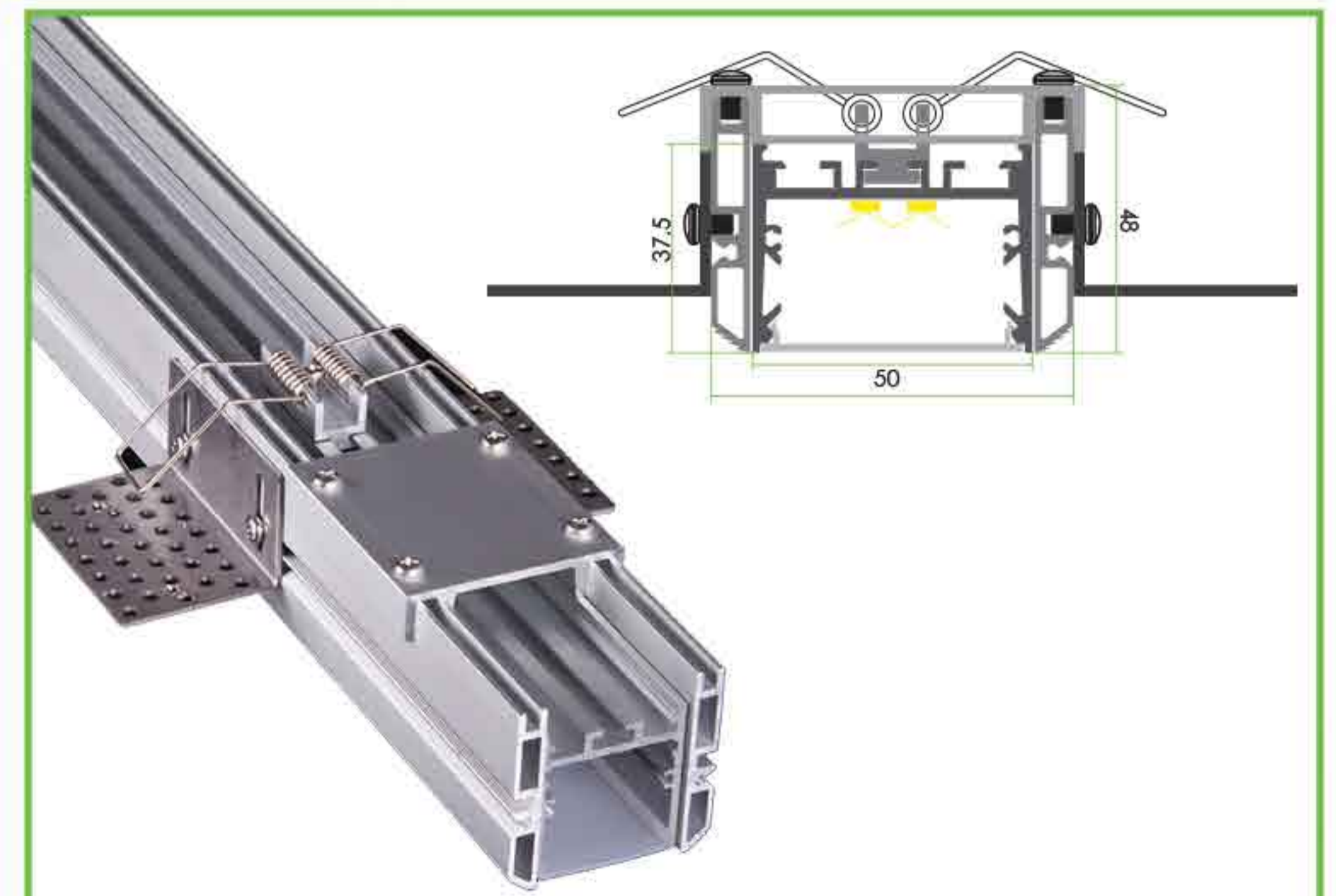
LED PROFILES



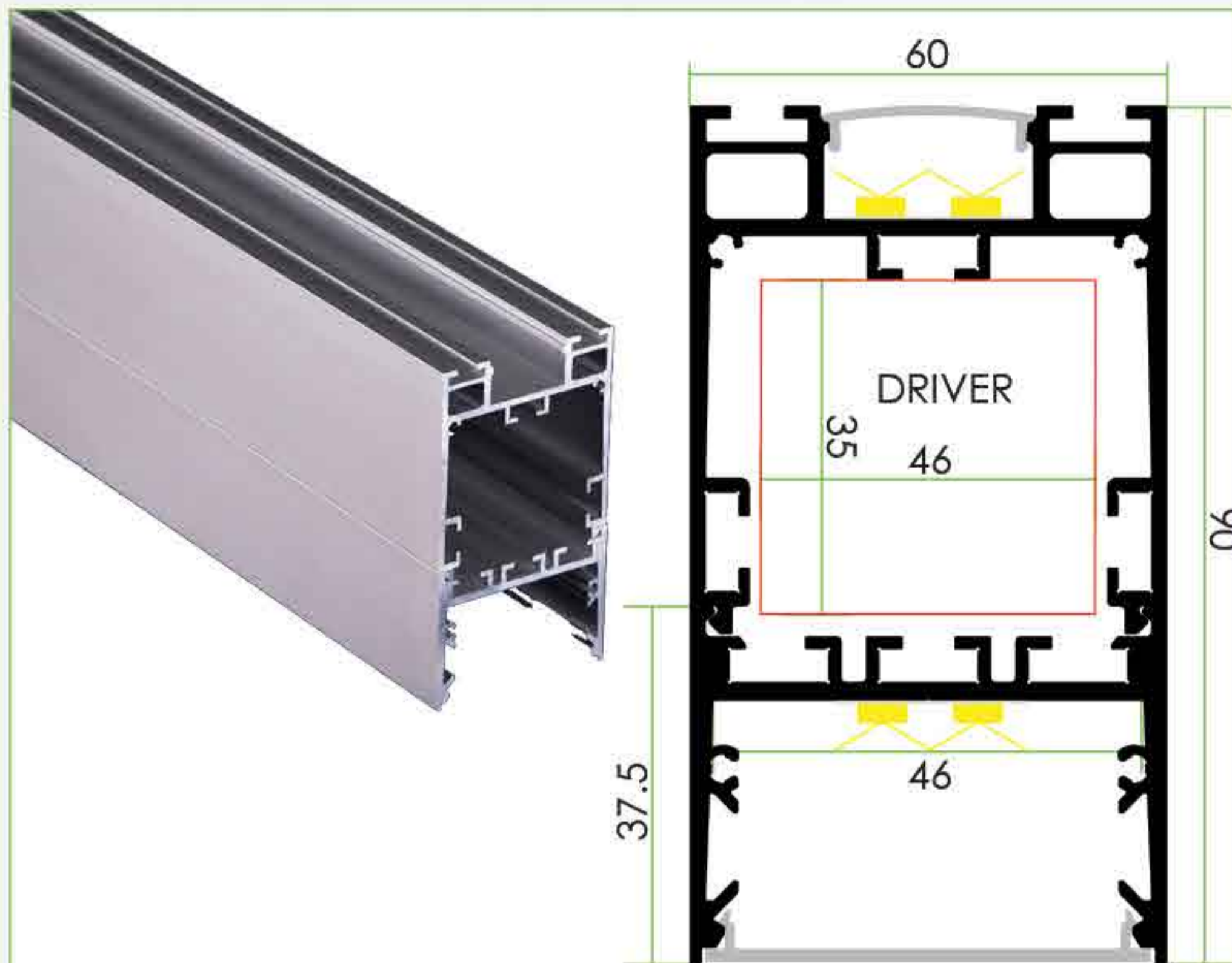
BR-PR-ALP083X  **1.67**
Recessed Powerline  **<20**



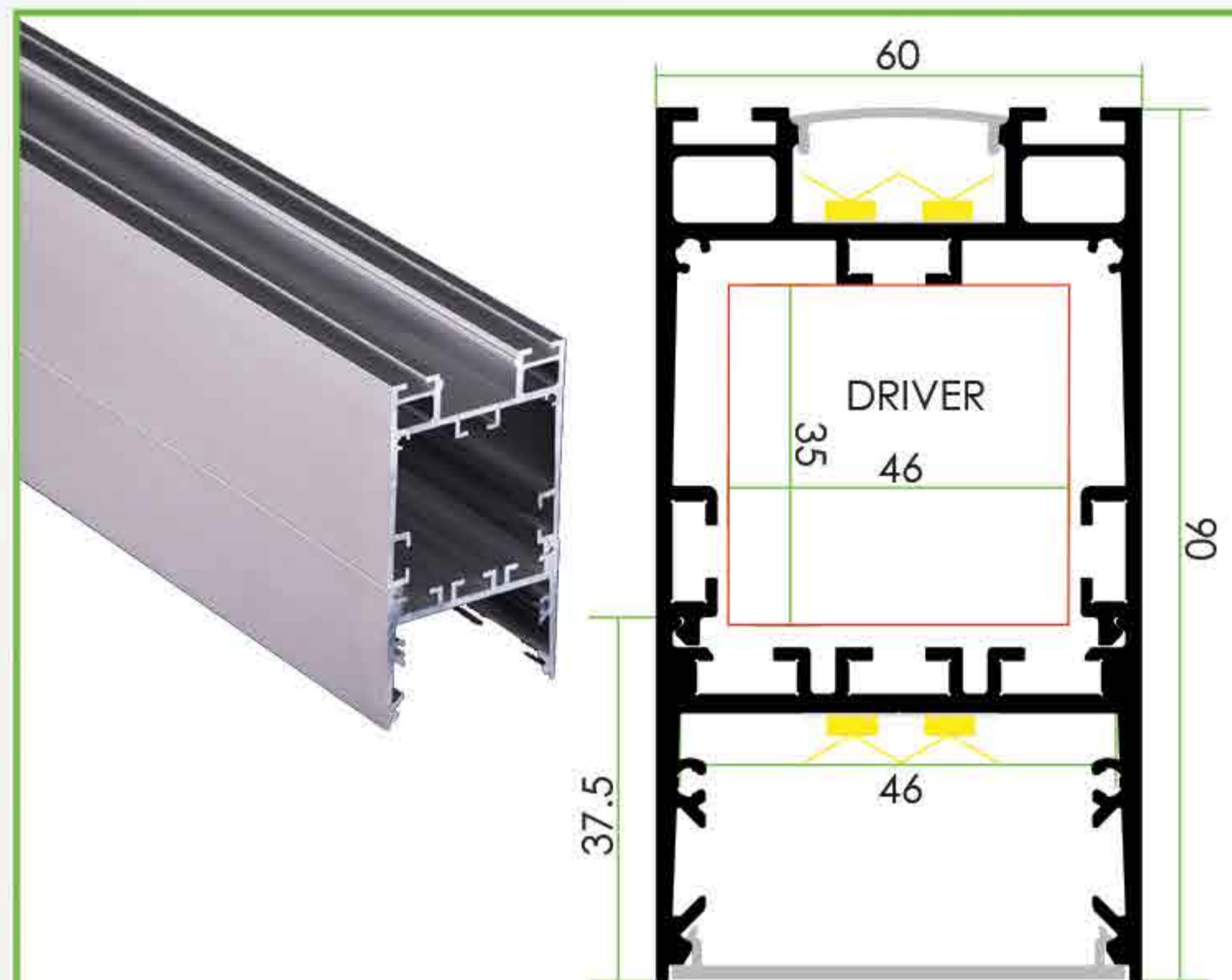
BR-TR-ALP086X  **1.43**
Trimless Recessed  **<40**



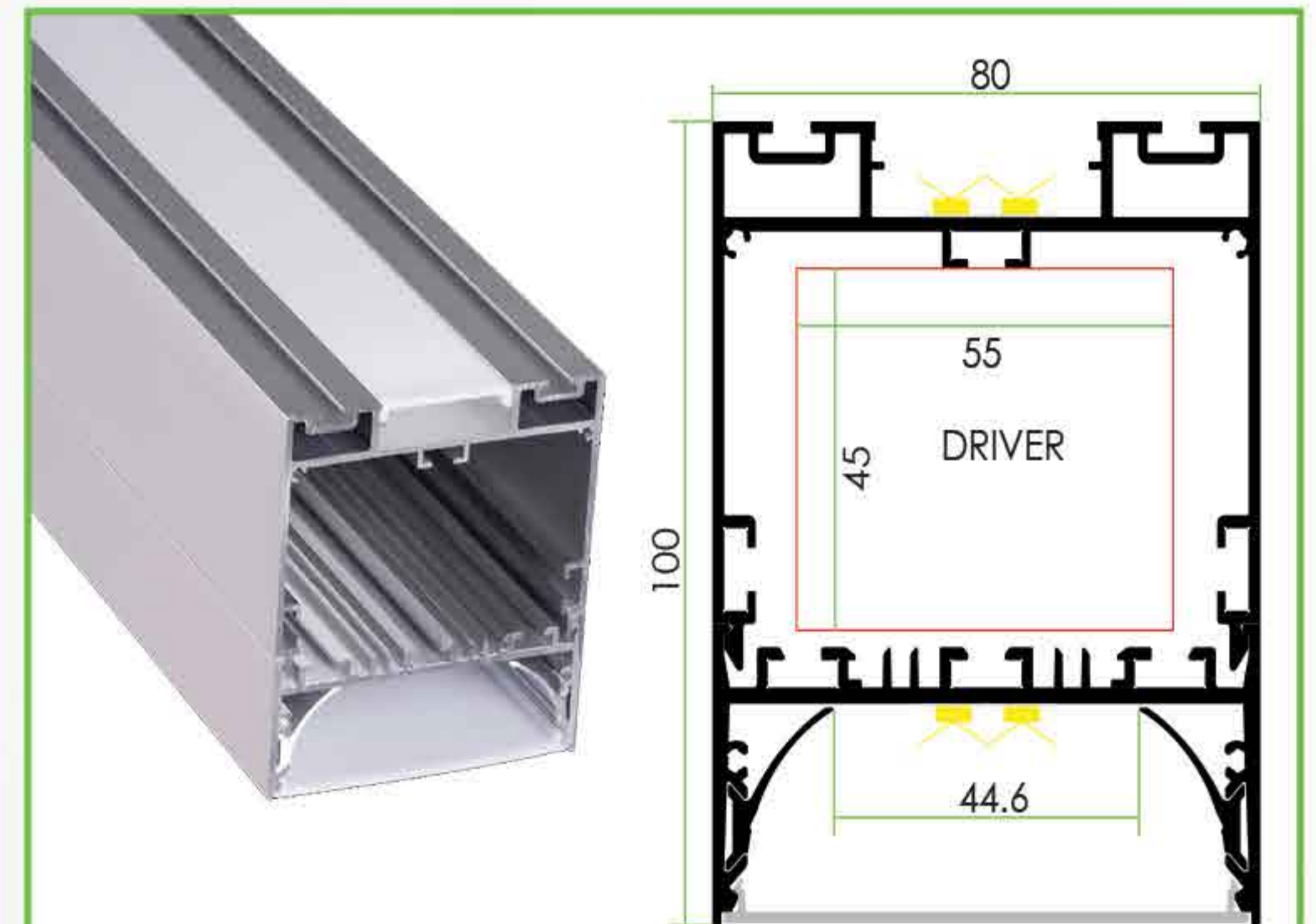
BR-TR-ALP087X  **1.77**
Trimless Recessed  **<60**



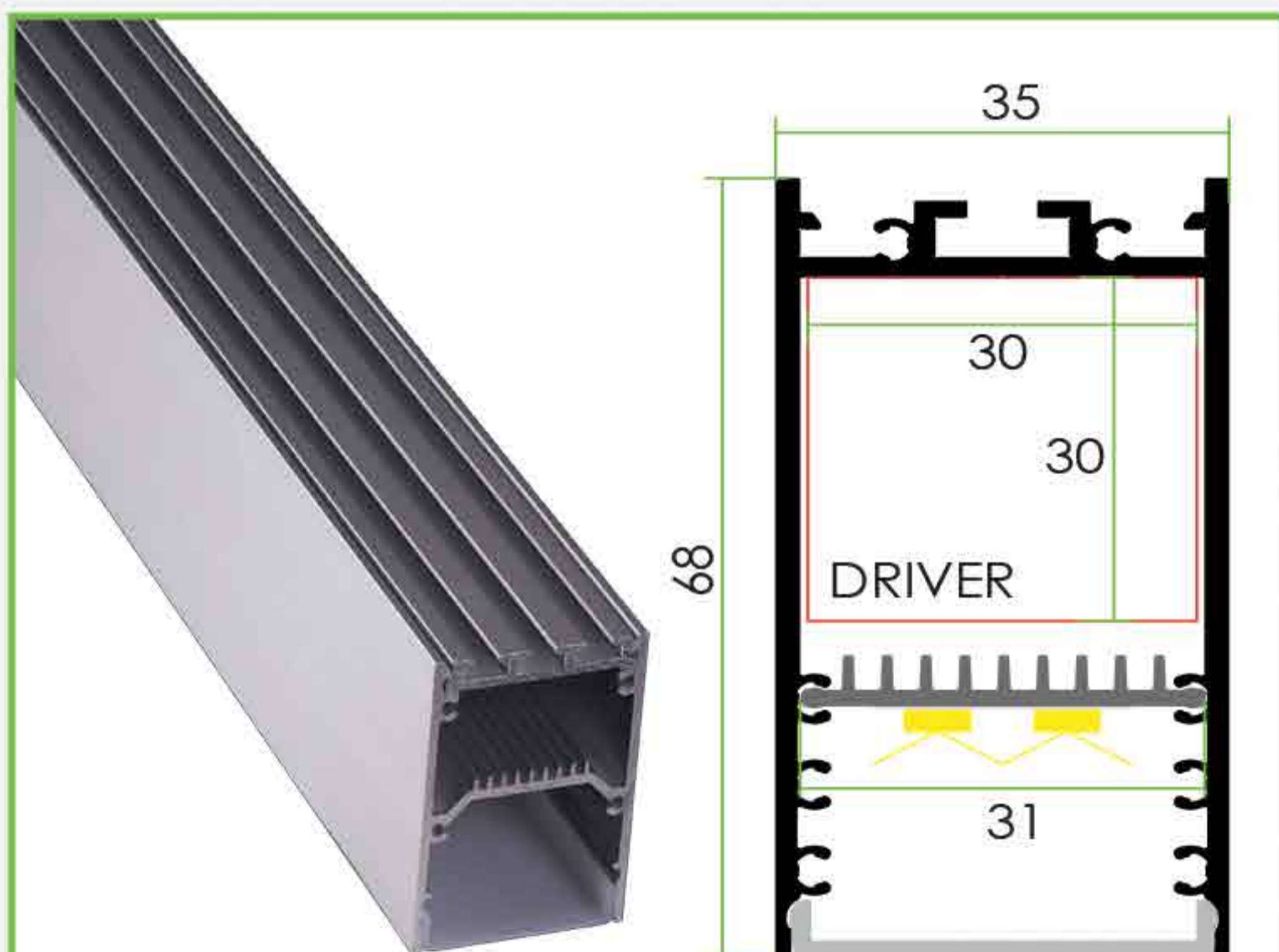
BR-DP-ALP090X  **2.21**
Driver Profile  **<60**



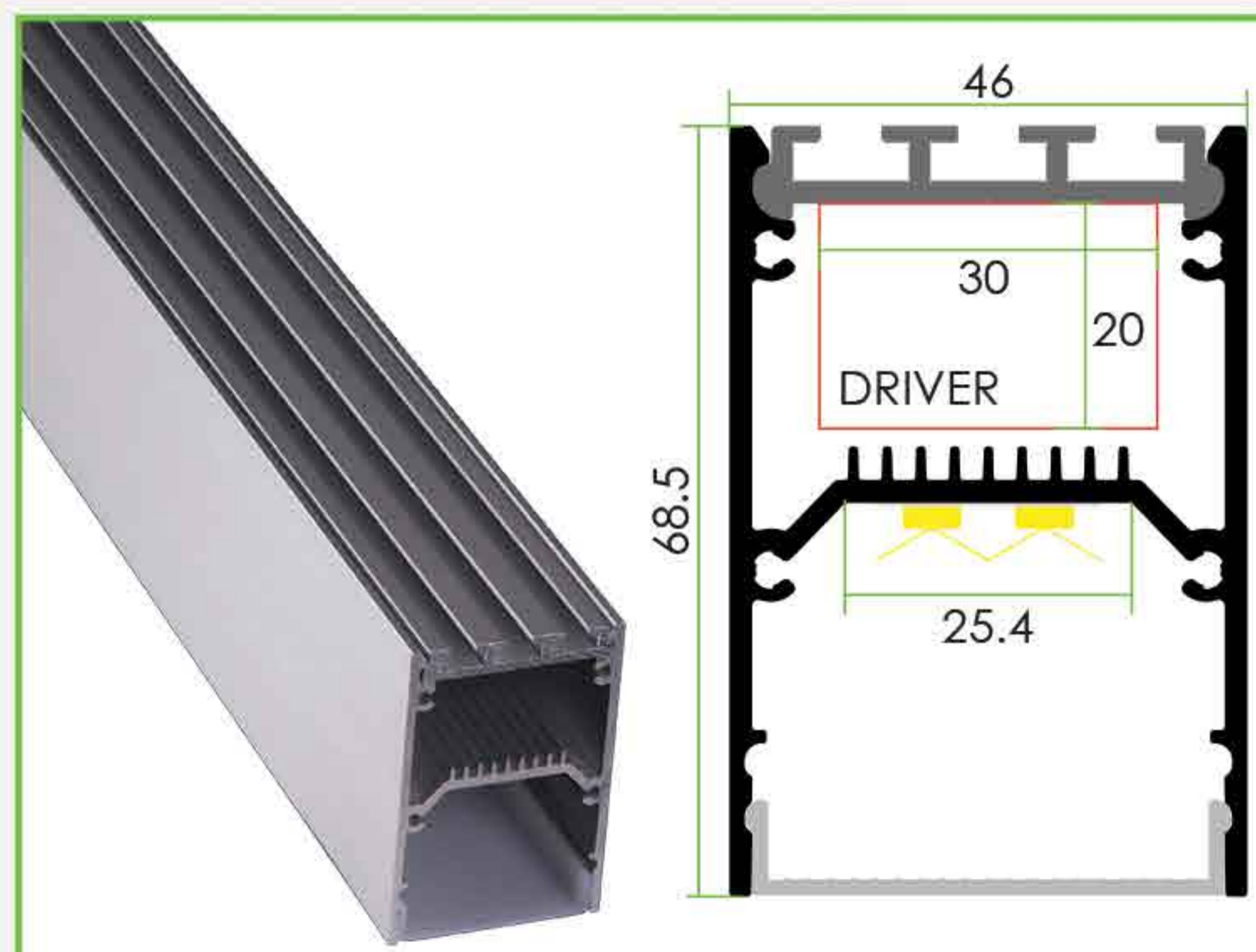
BR-DP-ALP091X  **2.40**
Driver Profile  **<60**



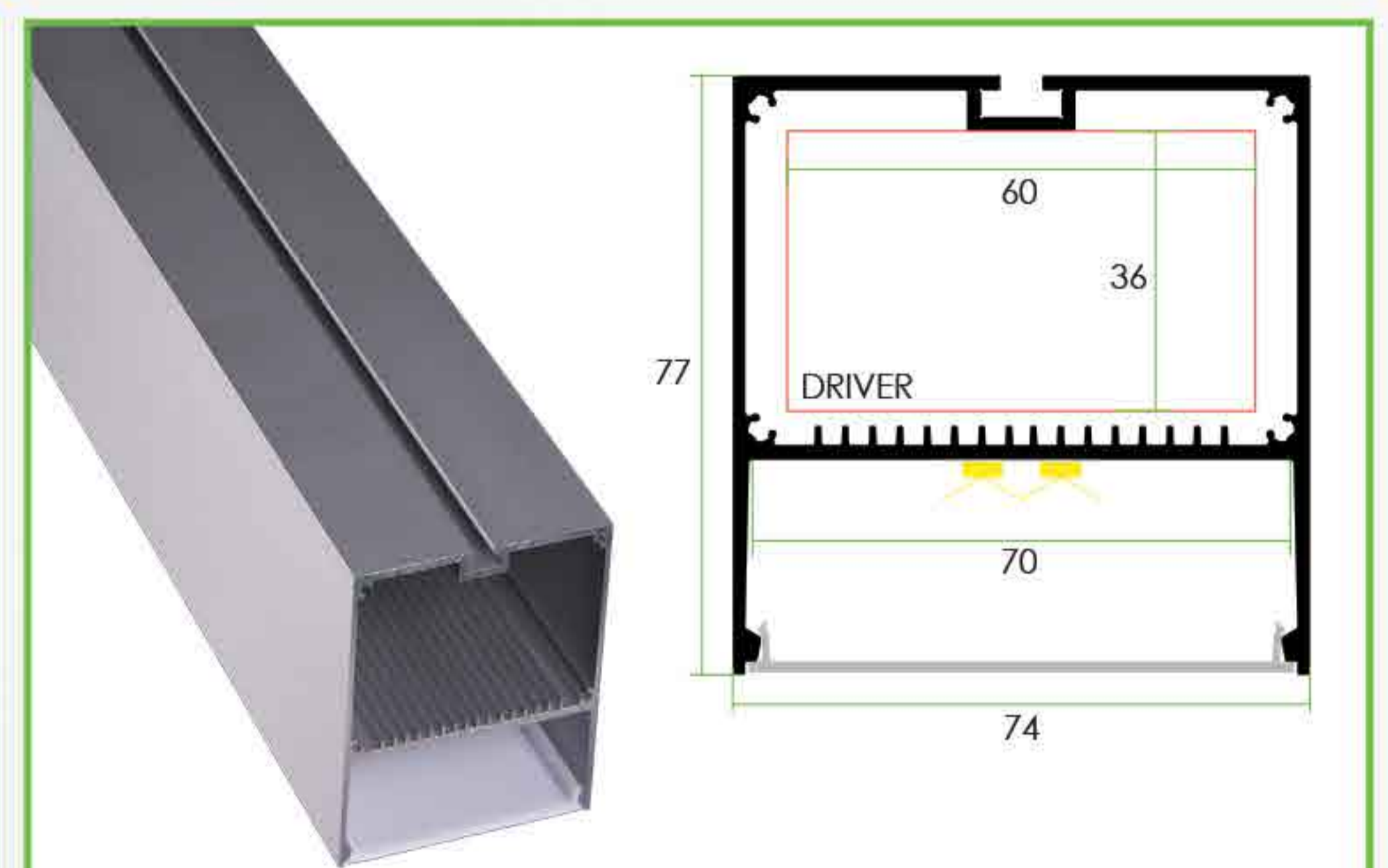
BR-DP-ALP092X  **3.11**
Driver Profile  **<60**



BR-DP-ALP093X  **1.24**
Driver Profile  **<30**



BR-DP-ALP094X  **1.67**
Driver Profile  **<40**

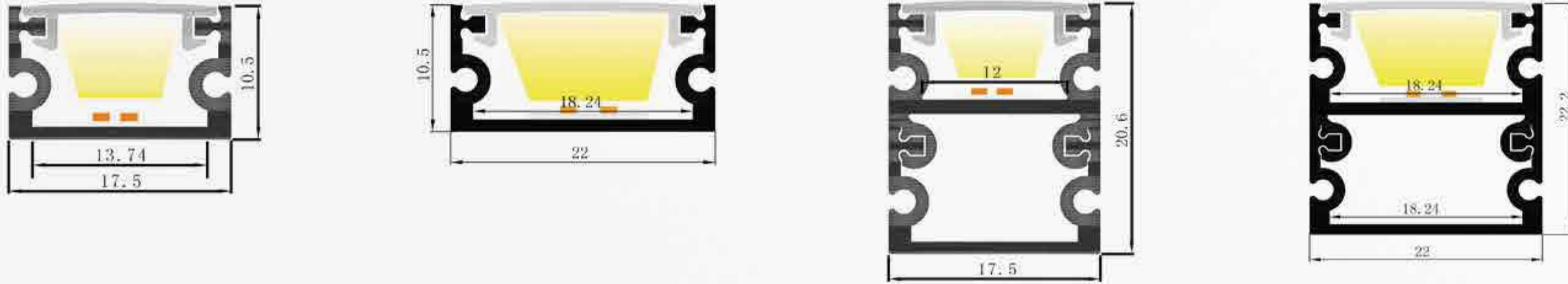


BR-DP-ALP095X  **1.77**
Driver Profile  **<60**

 : Approx weight per meter, with +/- 10% tolerance

 : Maximum recommended LED wattage per meter

Cutout Dimensions



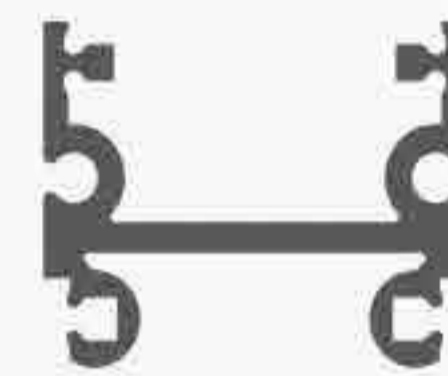
Free assemble profile (Series 1)



A



B



C



D

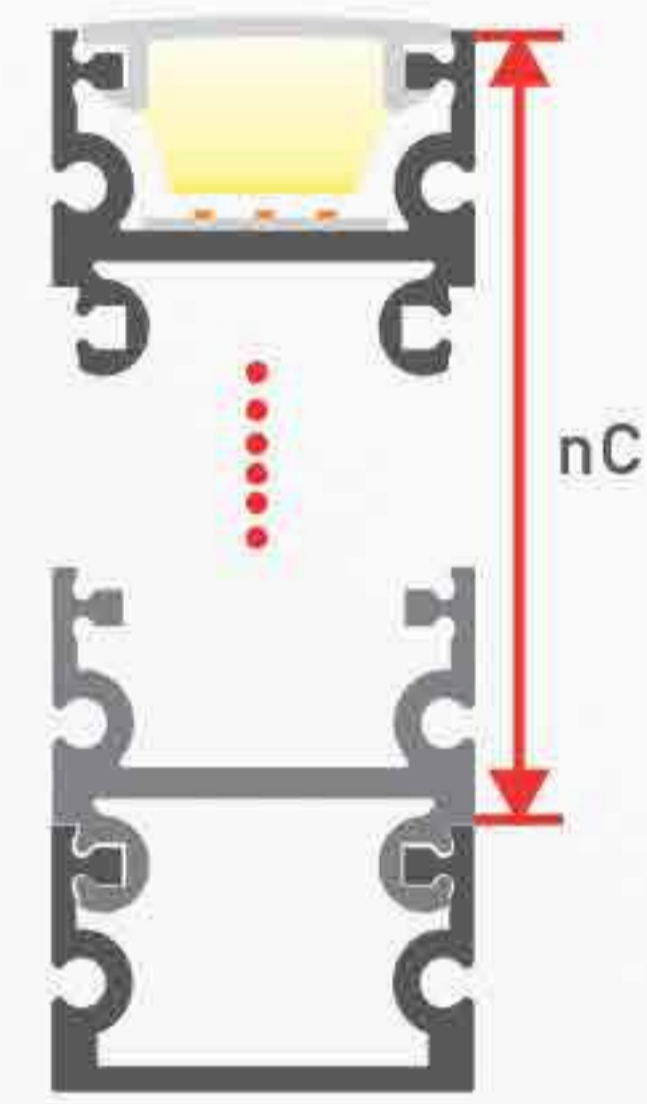
Free combination of any height



A



A+C

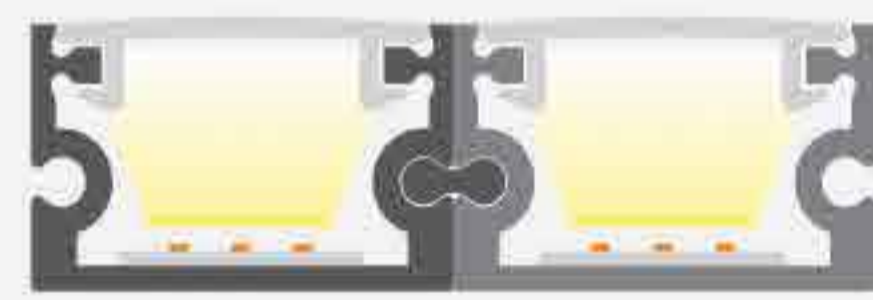


A+nC

Free combination of any width



A



2A+B



$(n+1)A+nB$

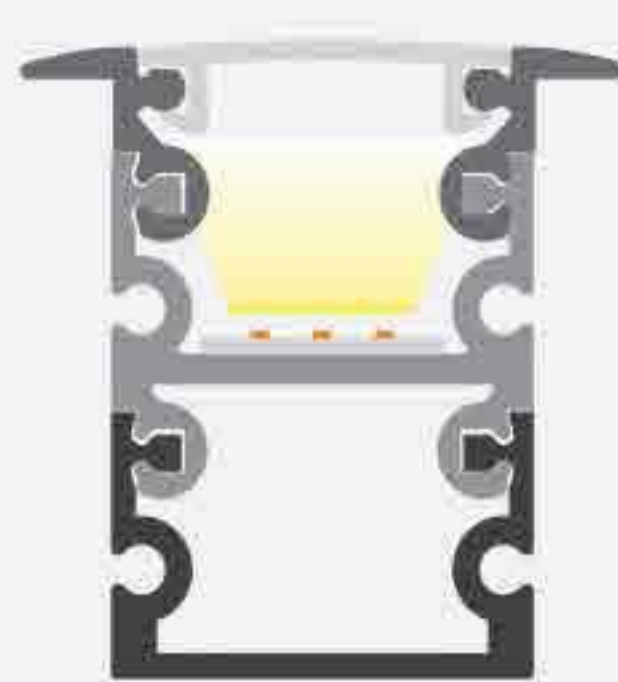
Free combination of any height



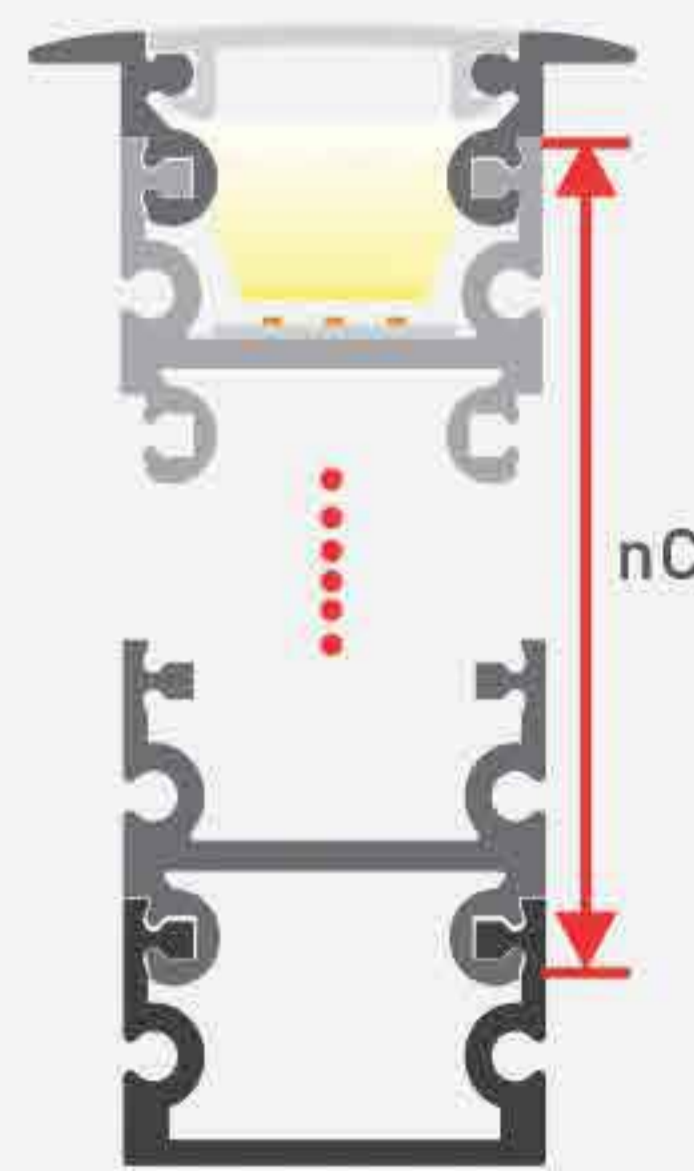
A



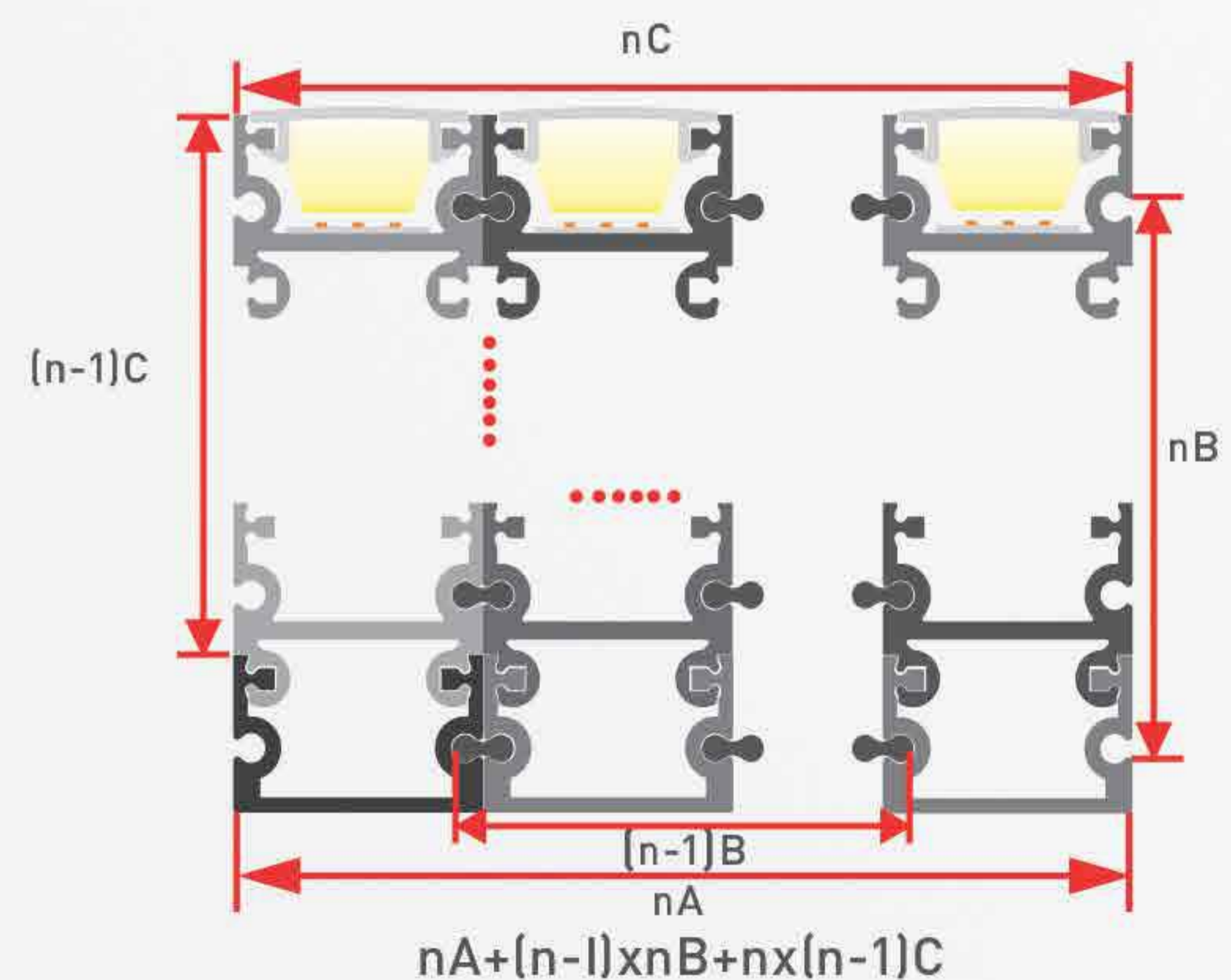
A+D



A+C+D

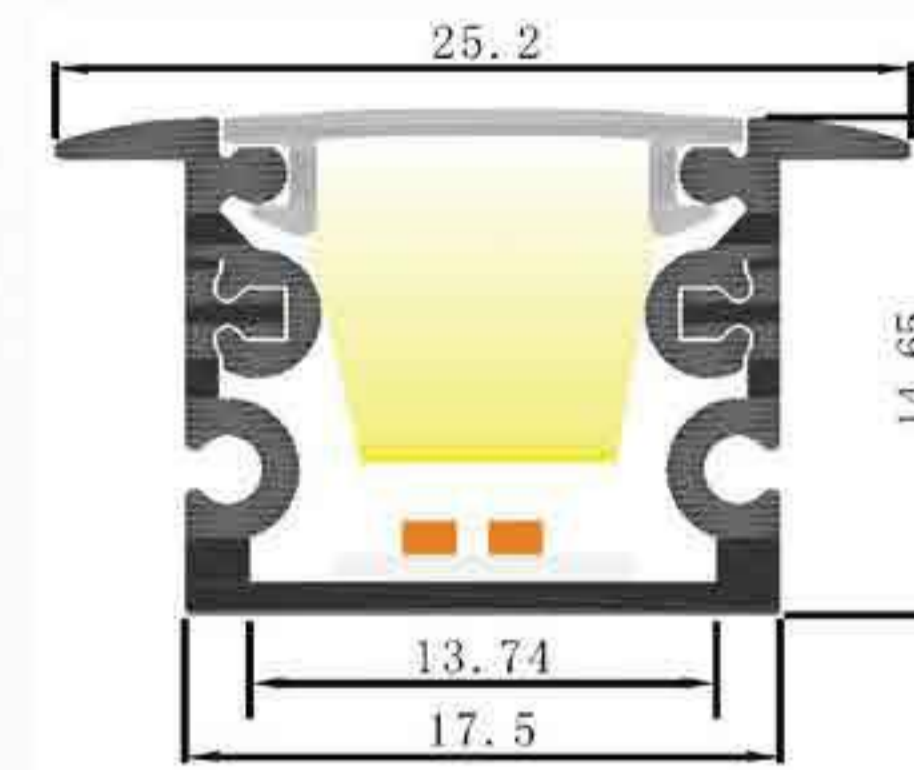
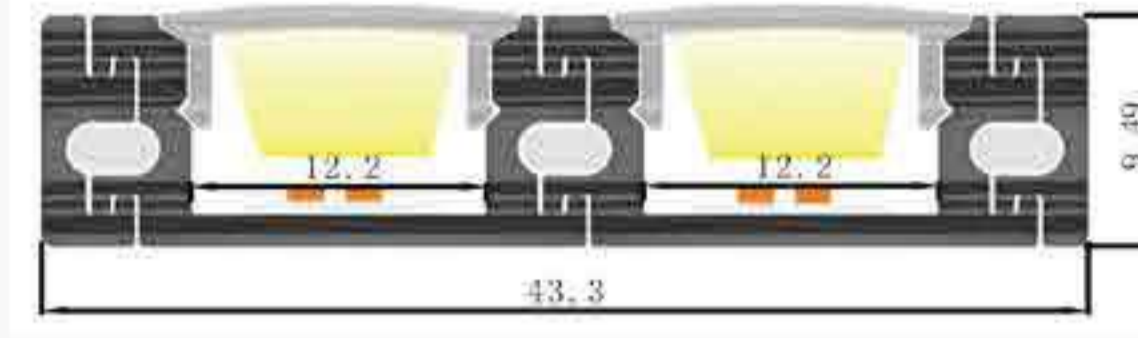
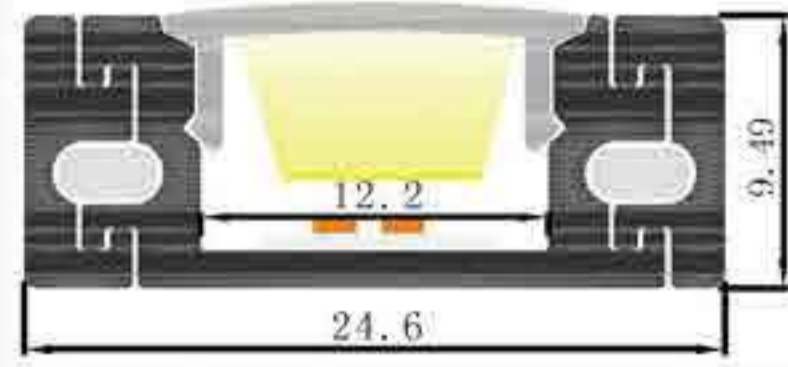
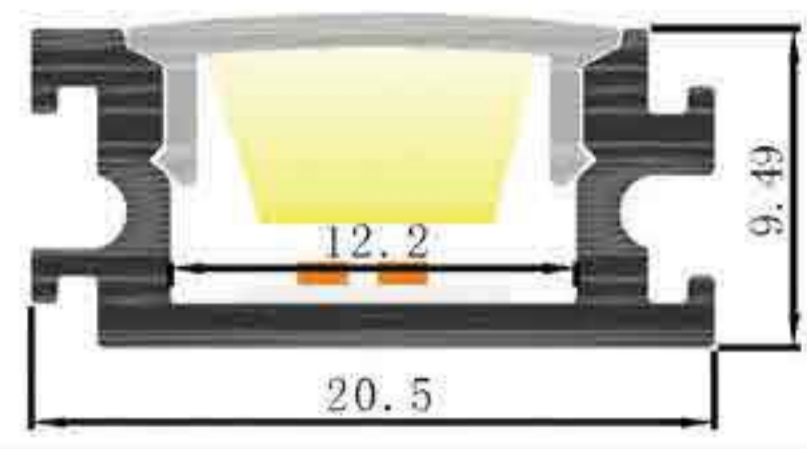


A+nC+D



Note: This modular profile is designed by different components of the system. This system allows flexibility in design to customize, upgrade & subdivide

Cutout Dimensions



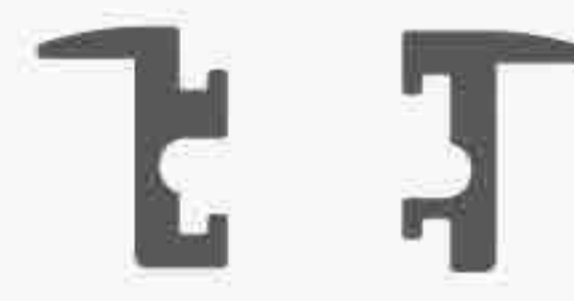
Free assemble profile (Series 2)



A



B



C

D



E

F

Freely variable structure



A



A+2B+C+D



A+2B+E+F

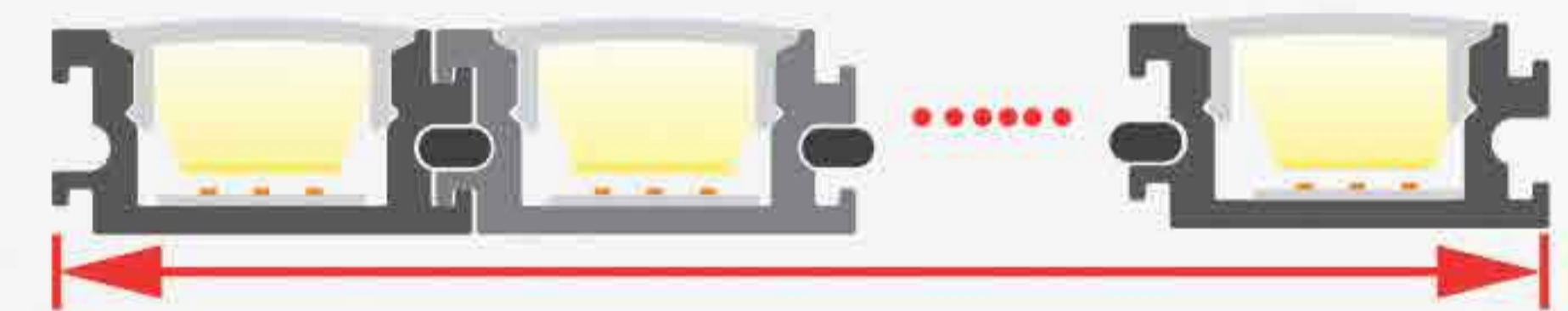
Free combination of any width



A



2A+B



$(n+1)A+nB$

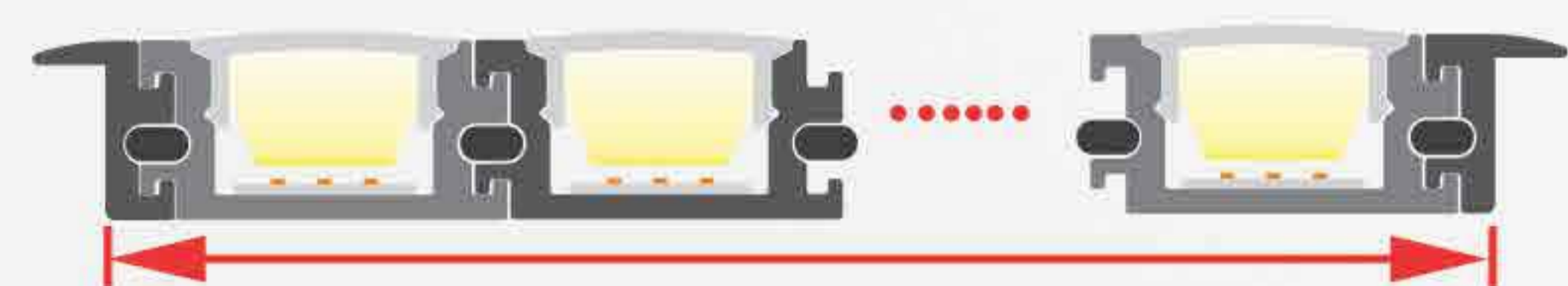
Free combination of any width



A+2B+C+D



2A+3B+C+D



$nA+(n+1)B+C+D$

Note: This modular profile is designed by different components of the system. This system allows flexibility in design to customize, upgrade & subdivide

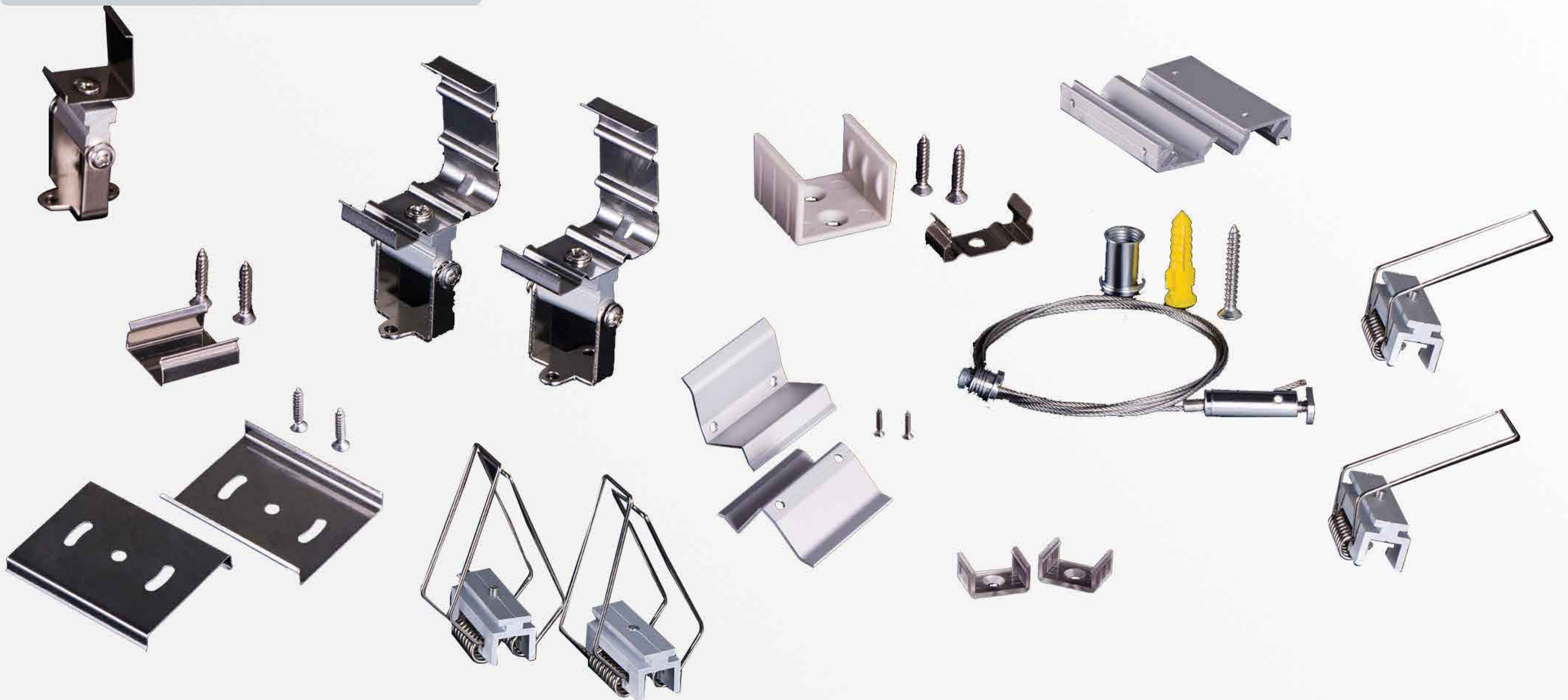
Brio Series

Accessories

End Caps



Mounting Accessories



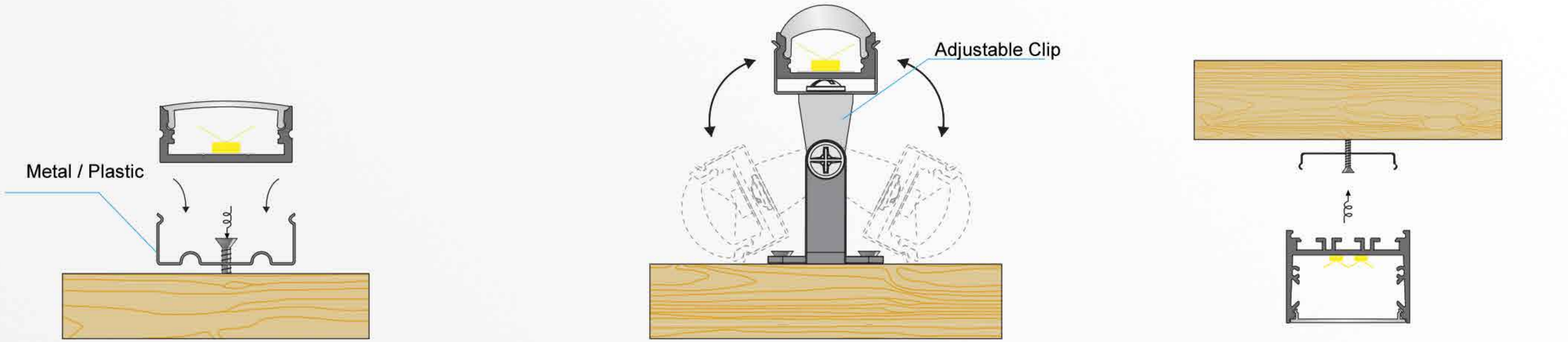
Joiners



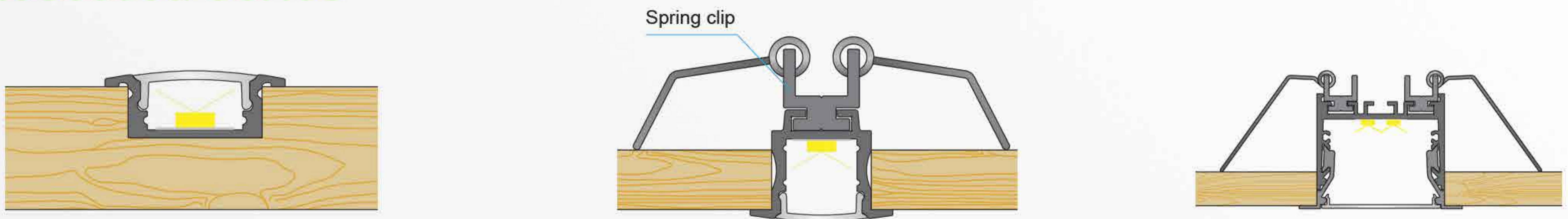
Diffuser



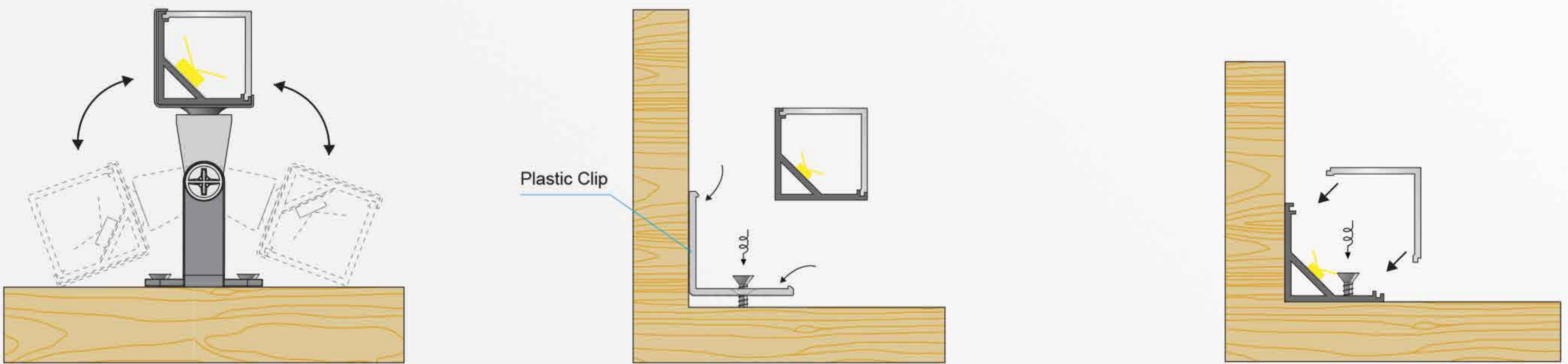
Surface Mounted Series



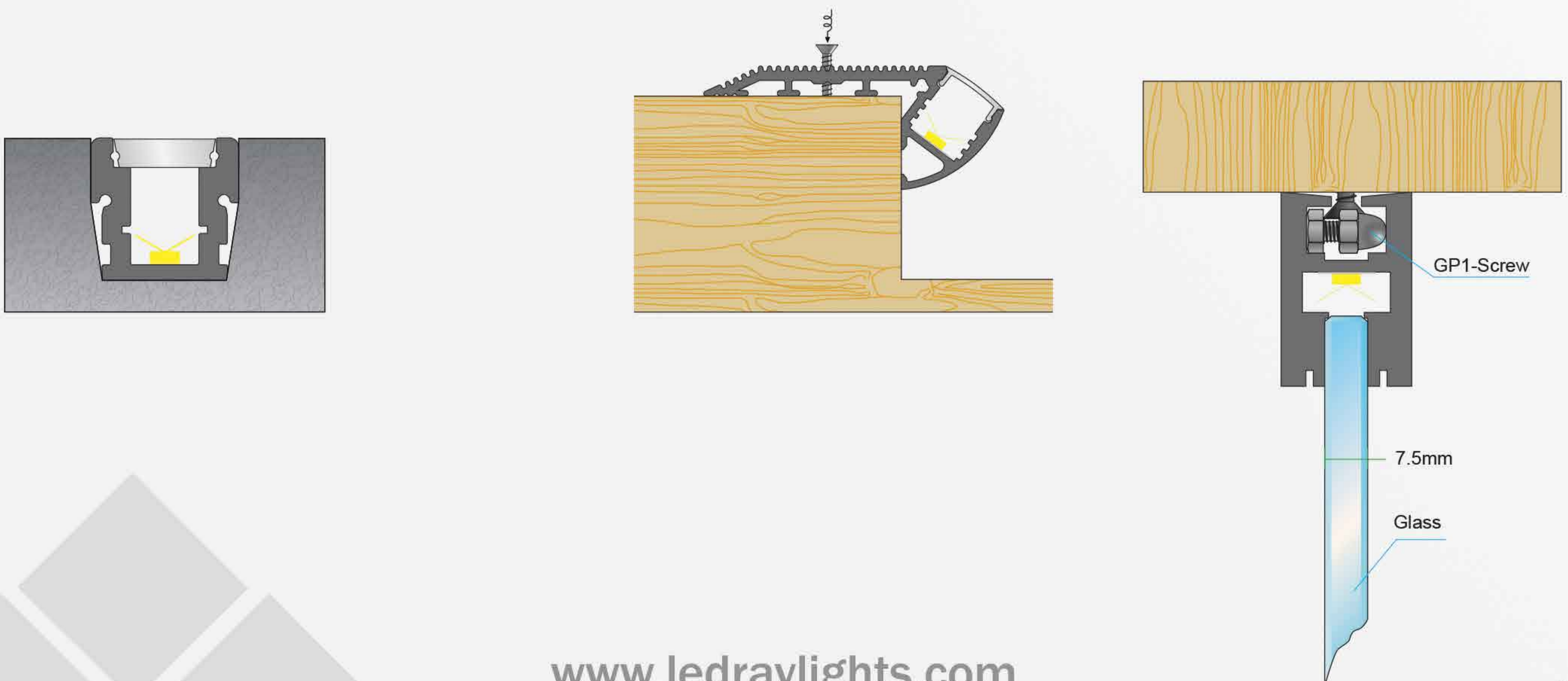
Recessed Series



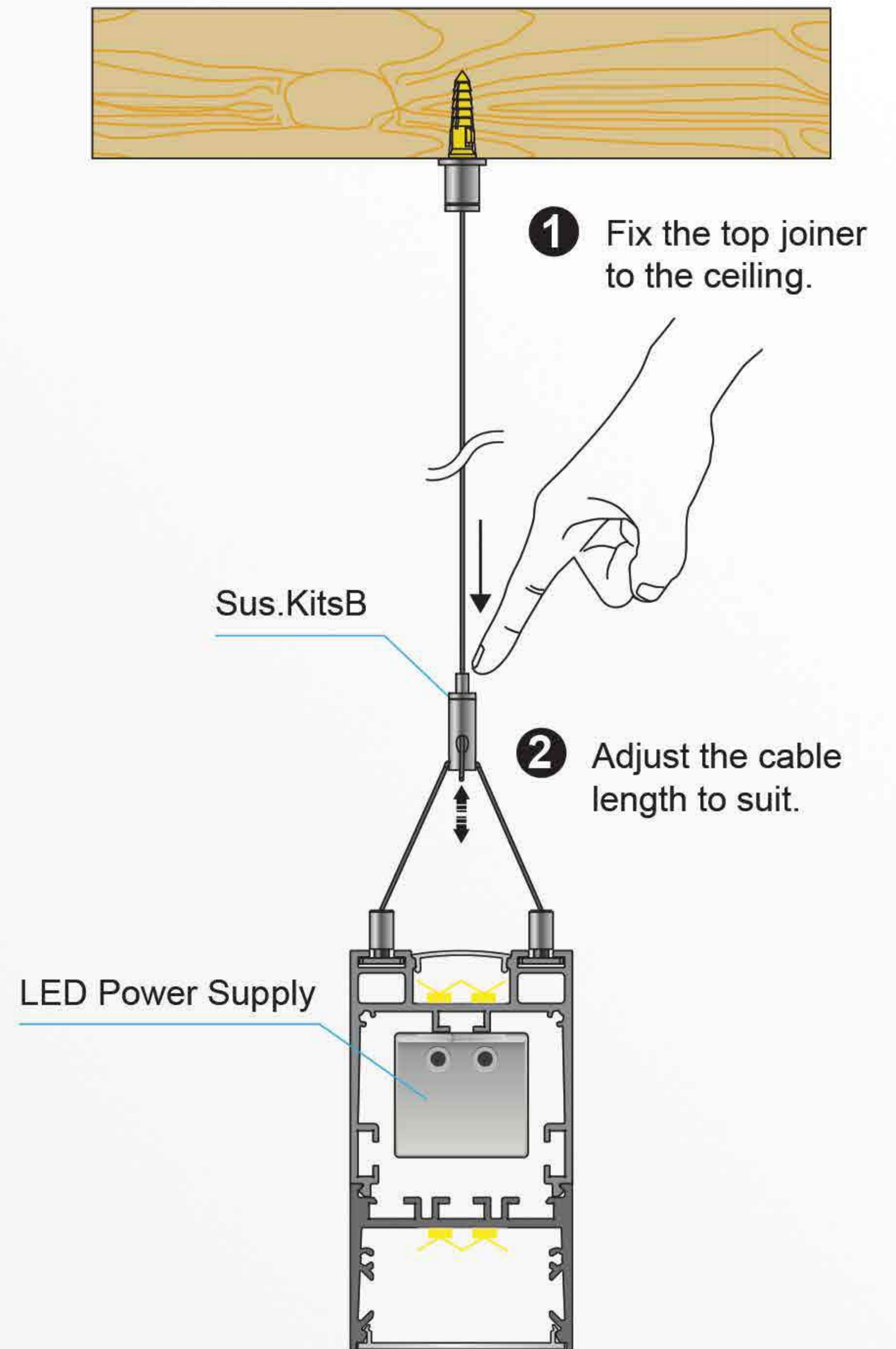
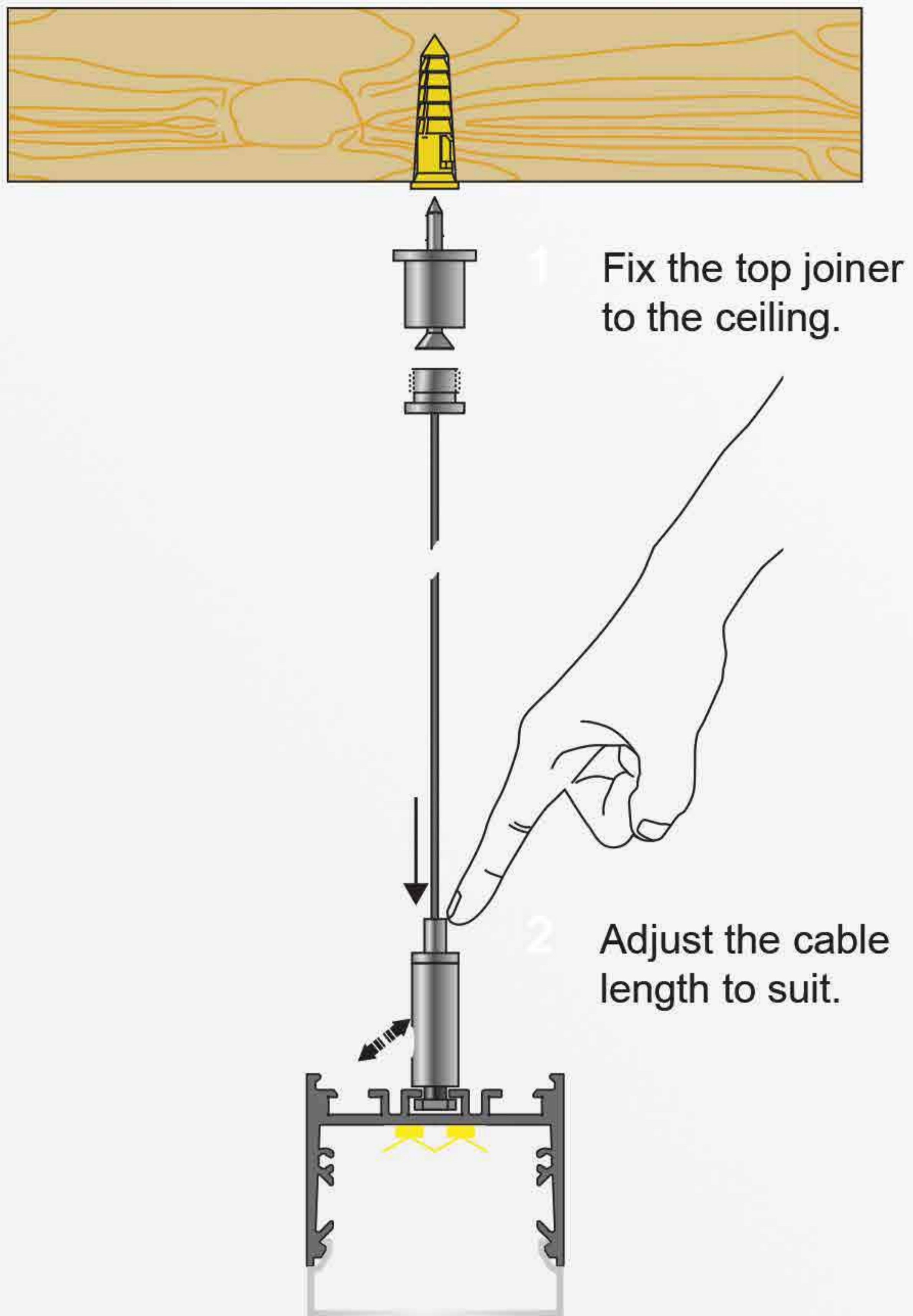
Corner Series



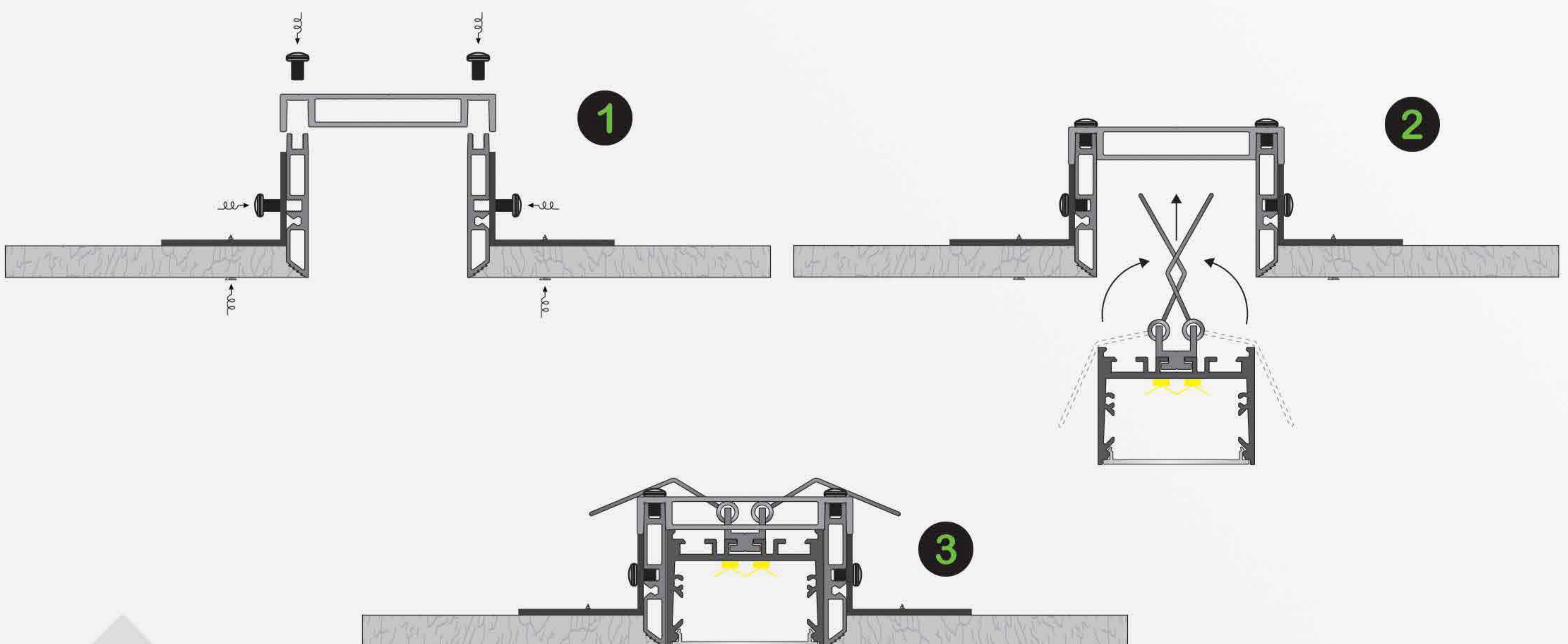
Floor Stair and Glass



Suspension or Hanging



Recessed Trimless





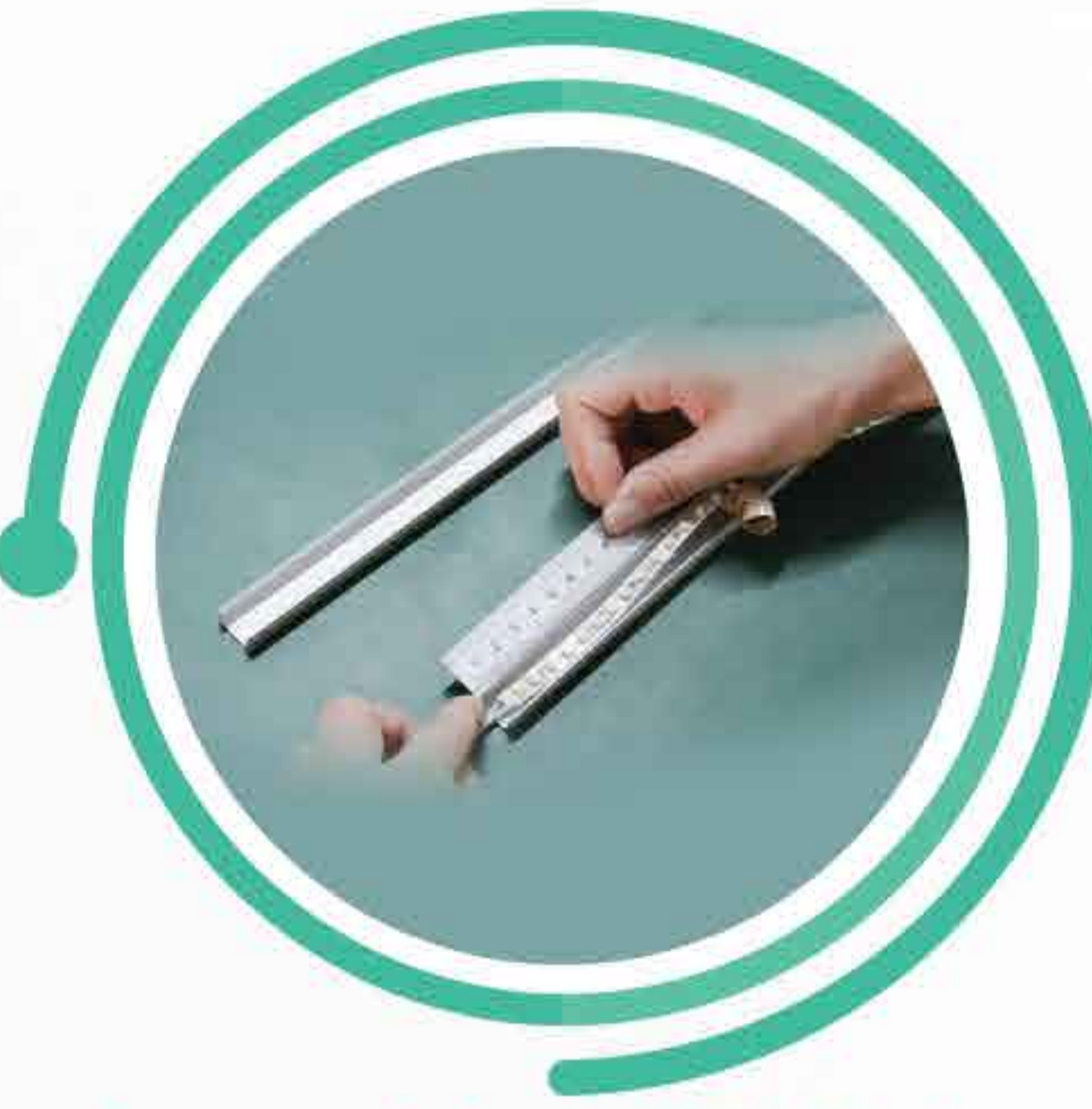
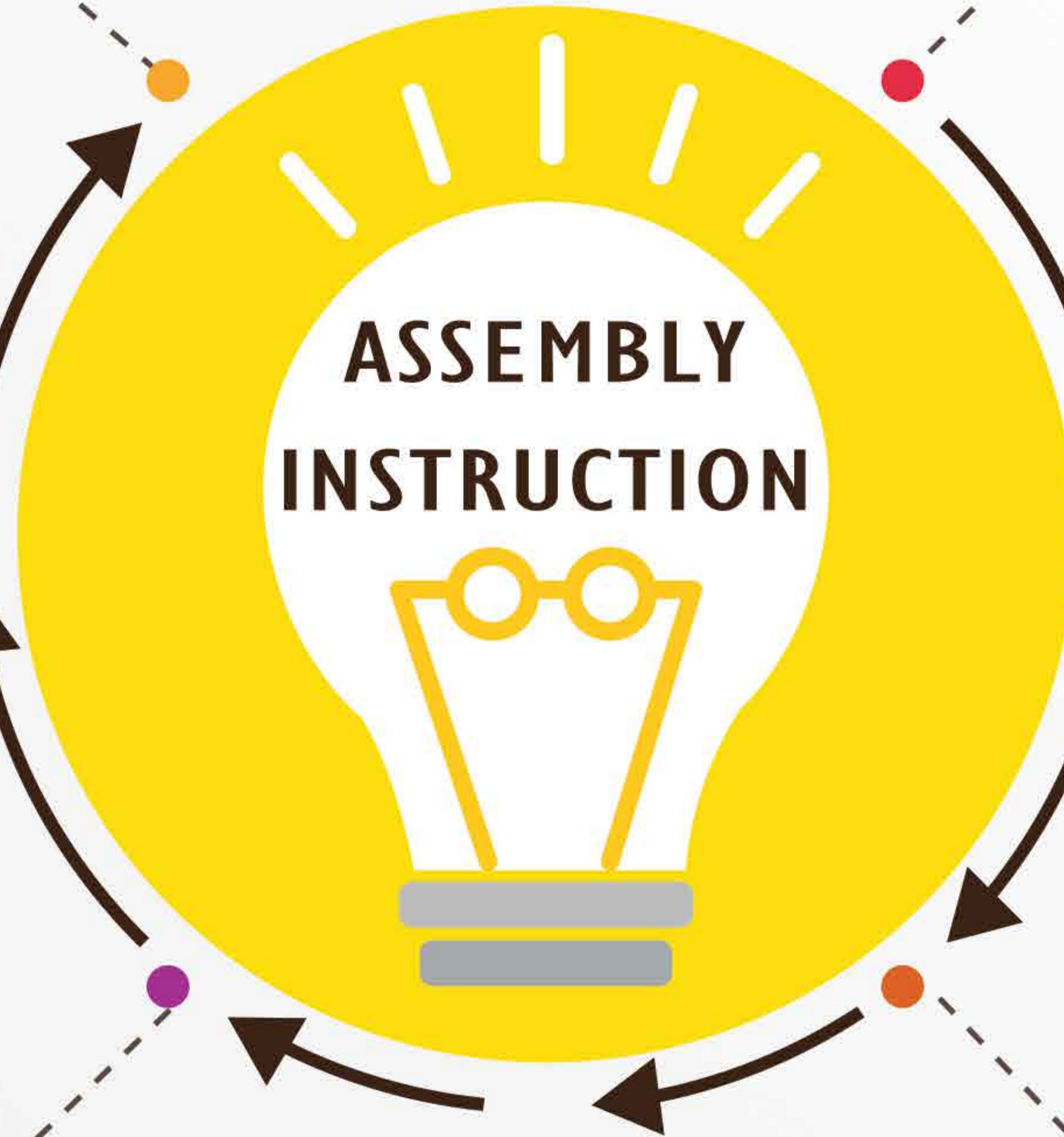
Linear LED Luminaire



Clean Profile



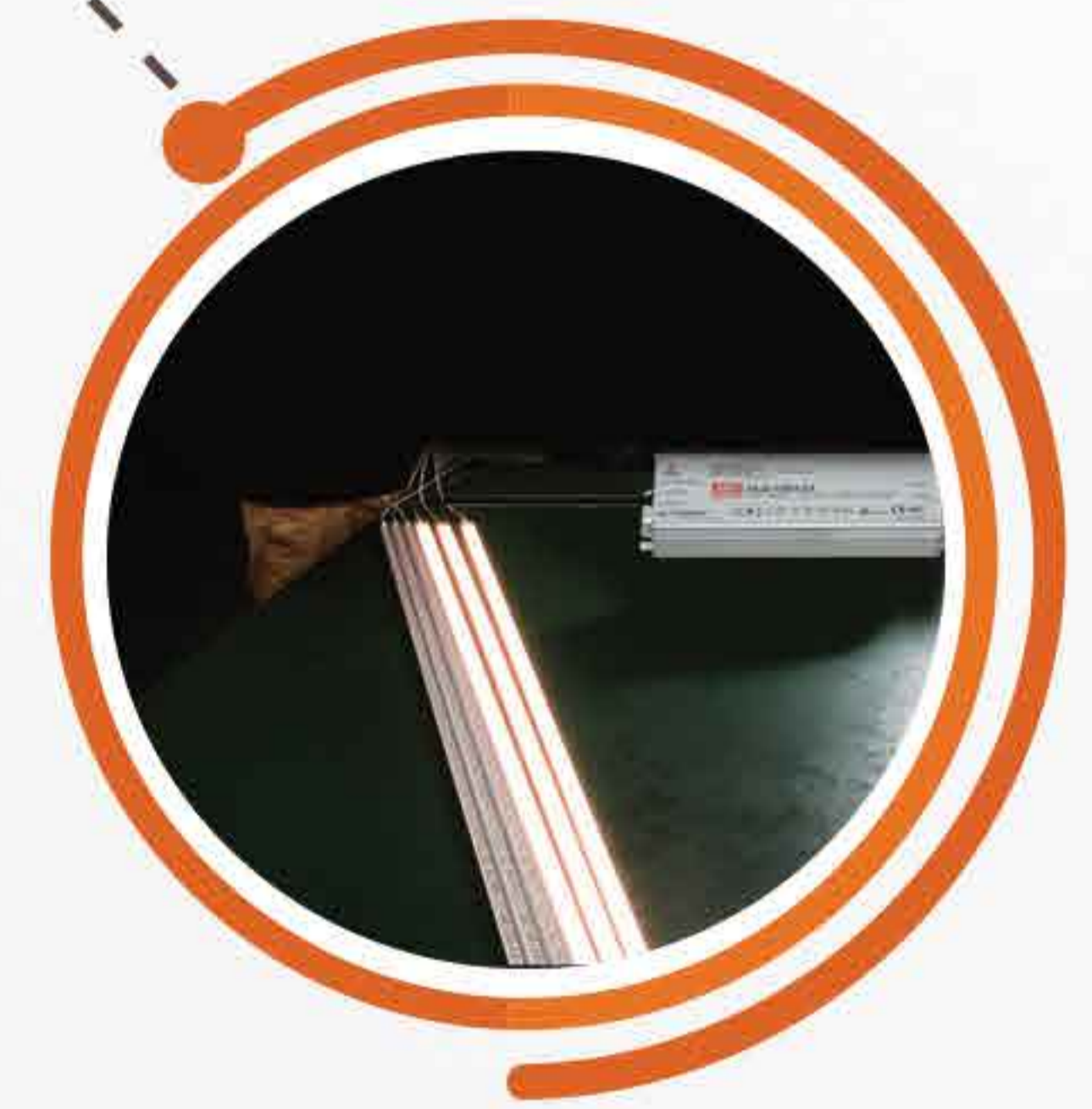
Fix Diffusers



Assemble LED Strips



Fix End Caps



Testing LED Luminaire

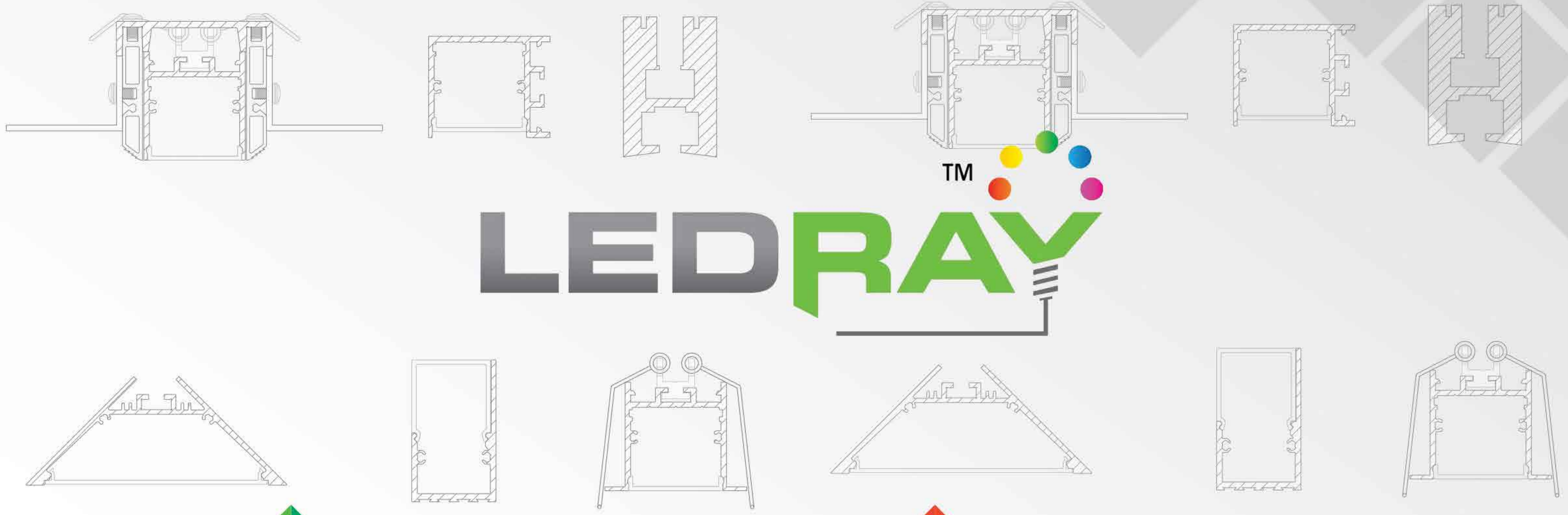
Ledray offers color accordant with the RAL Colors classifications for individual orders

Powder coating of aluminum profiles with desired shade to blend with the ambiance and for extra protection



www.ledraylights.com





TM

LED RAY



Version 2018

EN POWER

www.ledraylights.com

EN POWER ELECTRONICS L.L.C.
 P.O.Box: 126081, Dubai, United Arab Emirates
 Tel: +971 4 3977274, Fax: +971 4 3977275
 E-mail: info@enpower.ae